



### Features:

- Optimised for UK market, designed to work at pressure range of 0.1 - 5.0bar
- Thermostatic temperature control and automatic stop prevent surges of hot or cold water
- Performance Flow to provide a drenching experience
- Adjustable inlet centres, allowing you to use existing pipework with centres measuring anything between 136mm and 158mm.
- Large 6" shower rose
- Premium handset

### Product Certifications:



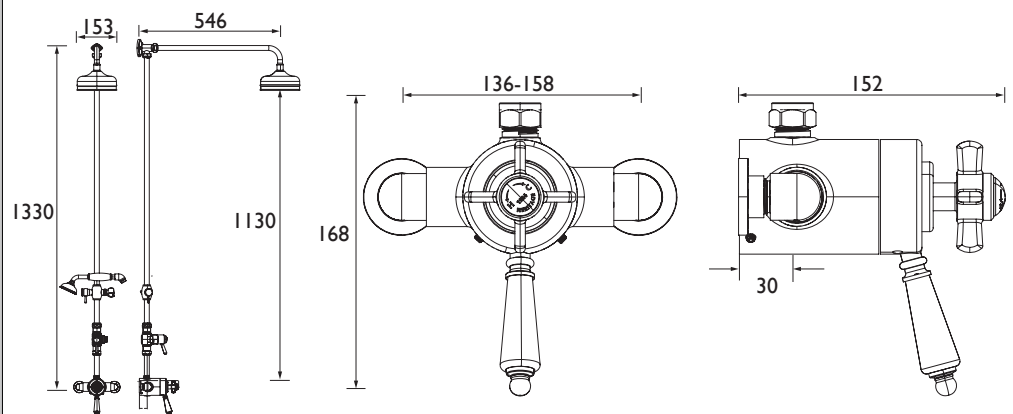
### Additional Information:

- Matching taps are available for the Dawlish range, search Taps on our website to see the complete collection.

### Specification

Main Construction Material:	Brass
No of Controls:	2
Shower Type:	Mixer Shower
Shower Head Type:	Fixed and Handset
Valve/Cartridge Type:	Thermostatic
Maximum Hot Water Supply Temperature °C:	65
Maximum Static Pressure: (bar)	10
Plumbing System Suitability:	Suitable for all plumbing conditions
Working Pressure Range:	Min: 0.1 Max: 5.0
Connection Inlet:	15mm
Connection Outlet:	19mm
Isolation Valve Included:	No
Check Valve Included:	Yes

### Dimensions (measurements in mm)



### Flow Rates (l/min)

System Pressure (bar)	0.1	0.2	0.5	1	2	3	5
Through Handset (mixed no Flow regulators)	1.6	4.6	6.9	10.3	11.5	13.8	15.4
Through Handset (mixed with Flow regulators)		-	5.2	6.1	6.6	7.2	8.1
Through Fixed Head (mixed with no Flow regulators)	2.9	5.0	8.6	11.9	13.1	14.2	15.8
Through Fixed Head (mixed with Flow regulators)		-	5.6	7.4	7.6	7.7	8.5