

HERITAGE

BATHROOMS

Installation Guide



Models Covered:

**Inline Diverters
and Deluxe Fixed Head Kit**

**STAI3, STBNI3, STCI3, STAI5,
STCI5, STAI6, STBNI6, STCI6**

Please keep this booklet for future reference.

Installer: When you have read these instructions, please ensure you leave them with the user.

INTRODUCTION

Thank you for buying a Heritage Product. When you buy a Heritage product, you can be confident that it not only features a beautiful, distinctive, classic design, but that it has also been made to the very highest quality standards.

To ensure that it works to its full potential, it needs to be fitted correctly.

These fitting instructions have been created to give you all of the information you need and, if you need any further help, please do not hesitate to give us a call on: 0330 026 8503.

CONTENTS

SAFETY NOTES	3
SPECIFICATION	3
PACK CONTENTS	4
TOOLS REQUIRED	4
INSTALLATION - DIVERTER KIT	5
OPERATION	5
INSTALLATION - FIXED HEAD KIT	6
CARING FOR YOUR PRODUCT	7
GUARANTEE	7
NEED HELP?	7



SAFETY NOTES

Please make sure you read these instructions and retain for future use.

All products manufactured by Heritage Bathrooms are safe, providing they are installed and used correctly and also receive maintenance when needed.

If you are in doubt about your ability to install this product correctly or safely, you should employ the services of an experienced qualified plumber.

This product must not be modified in any way otherwise this will invalidate the guarantee.

Remove all packaging and check that there are no missing or damaged parts.

Consider the following whilst using power tools:

- Prior to drilling into walls, check there are no hidden electrical cables or wires and there are also no water pipes. These can potentially be found using an electrical or metal detector.
- Wear the correct PPE, especially ear, eye and hand protection when using power tools. Unplug any mains equipment after use.
- Keep electrical equipment away from sources of water.

SPECIFICATION

OPERATING PRESSURE RANGE (BAR): Min. 0.2 Bar - Max. 5.0 Bar

Maximum recommended imbalance between hot and cold supply should not exceed a ratio of 5:1.

Important: For Diverter only. If using this product on a low pressure system (0.2 - 0.5bar) we recommend removing the NRV in the diverter to ensure maximum flow.

MAXIMUM STATIC PRESSURE (BAR): 10 bar

INLET WATER TEMPERATURE RANGE: Hot - Max 65°C

INLET CONNECTIONS: 15mm Compression

OUTLET CONNECTION: ST_13 - 15mm Compression

ST_15, ST_16 - 1/2" BSP Female

Note: If you are installing ST_15 please refer to the diverter (ST_13) installation first and then continue to the fixed head kit (ST_16) installation.



PACK CONTENTS

Diverter Kit

x1 (Diverter handle)
 x1 (Showerhead)
 x1 (Nipple)
 x2 (Nuts)
 x1 (Washer)
 x1 (Elbow)

ST_13

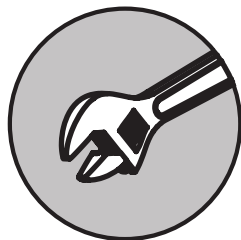
Fixed Head Kit

x1 (Showerhead)
 x1 (Arm)
 x1 (Nipple)
 x1 (Nuts)
 x1 (Washer)
 x3 (Screws)
 x1 (Bracket)

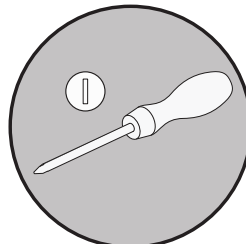
ST_16

REMEMBER
STC_15 codes
contain the
contents of
both ST_13
and ST_16.

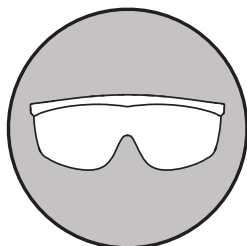
TOOLS REQUIRED



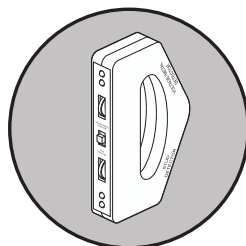
**Adjustable
Spanner**



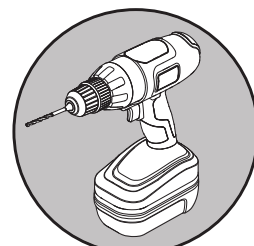
**Flat Head
Screwdriver**



Safety Goggles



**Electronic
Detector**

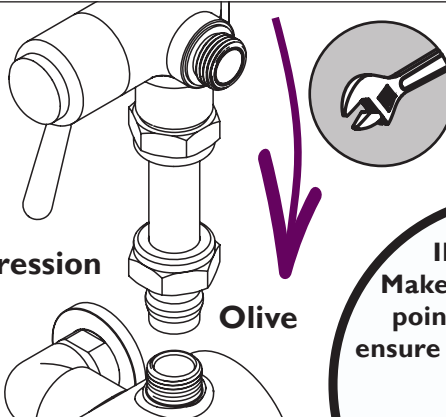


Drill



INSTALLATION - DIVERTER KIT

1



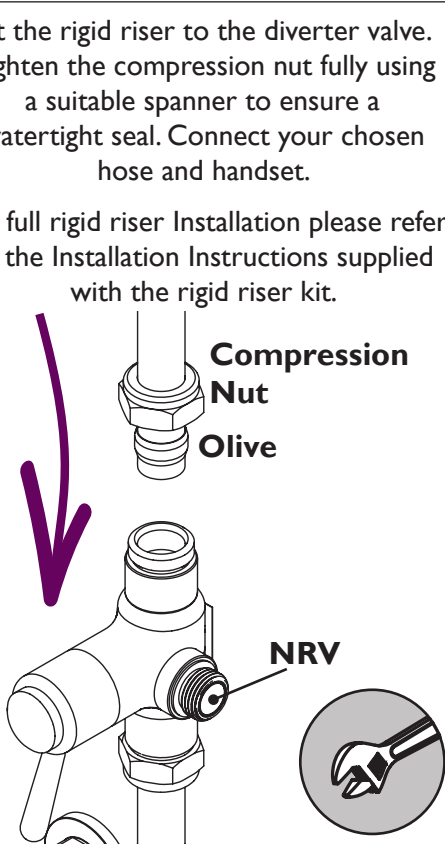
Compression nut

Olive

Push the short connecting tube into the top outlet on the shower valve (not supplied). If your outlet connection is 15mm, please use the adaptor supplied before attaching the riser tube. Ensure the nut and olive are fitted to the connecting tube. Tighten the compression nut fully using a suitable spanner.

Important: If using this product on a low pressure system (0.2 - 0.5bar) we recommend the NRV in the diverter to be removed to ensure maximum flow.

2



Fit the rigid riser to the diverter valve. Tighten the compression nut fully using a suitable spanner to ensure a watertight seal. Connect your chosen hose and handset.

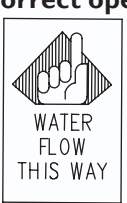
For full rigid riser Installation please refer to the Installation Instructions supplied with the rigid riser kit.

Compression Nut

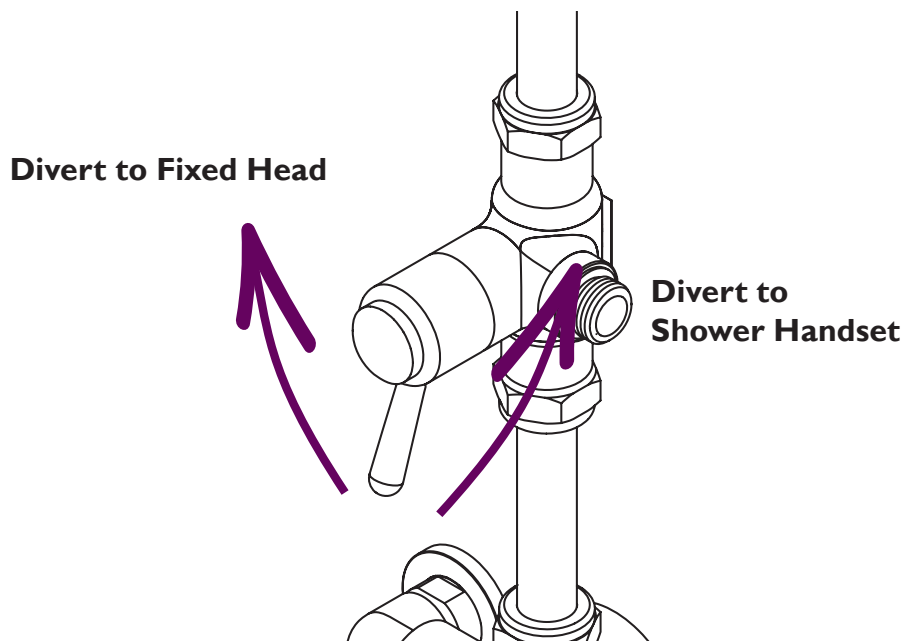
Olive

NRV

IMPORTANT
Make sure this label is pointing upwards to ensure correct operation.

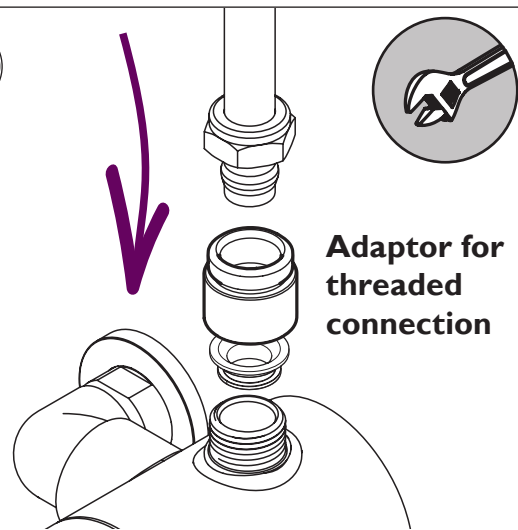


OPERATION



INSTALLATION - FIXED HEAD KIT

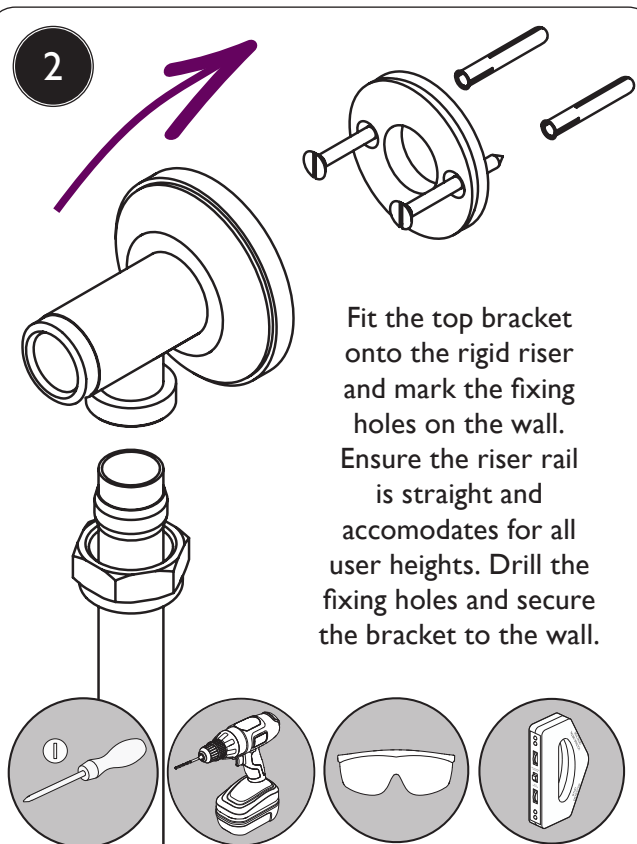
1



Adaptor for threaded connection

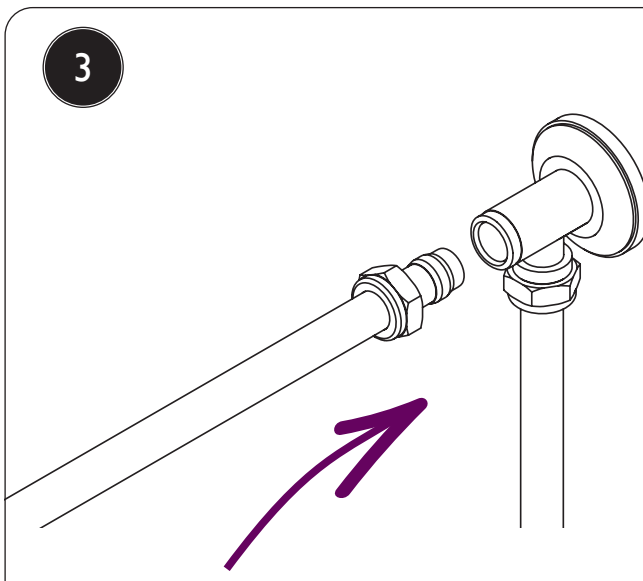
Fit the rigid riser to the top outlet. Ensure the olive is fitted and tighten the compression nut fully.

2



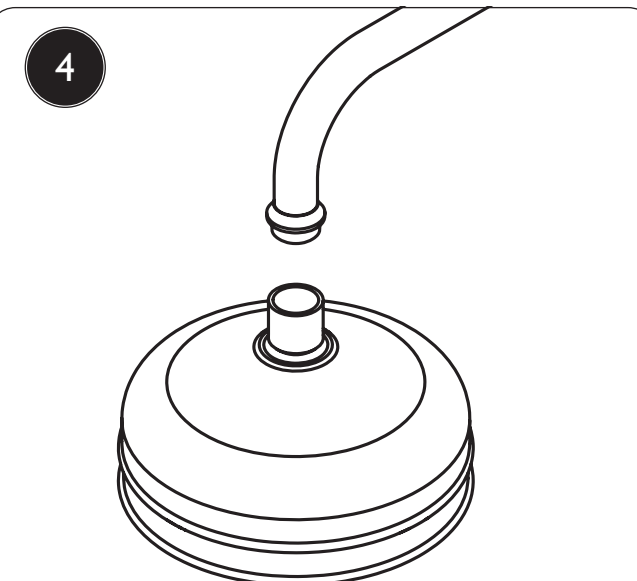
Fit the top bracket onto the rigid riser and mark the fixing holes on the wall. Ensure the riser rail is straight and accommodates for all user heights. Drill the fixing holes and secure the bracket to the wall.

3



Insert the arm into the top bracket, ensuring the olive is fitted. Tighten the compression nut fully.

4



Screw the shower rose onto the arm ensuring the sealing washer is used between the connections. Turn on the water supply and check all joints and connections for any leaks.



CARING FOR YOUR PRODUCT

Heritage products are made from premium materials, with hand polished, PVD, EPD or electroplated finishes.

Your product should be regularly cleaned with warm water, a mild pH-neutral liquid soap, and polished with a soft cloth. Any residues from soap, toiletries etc. should be rinsed off straight after use.

Household bleaches and cleaners contain harsh chemicals and may damage the surface finish. Avoid using abrasive cloths, scouring pads, scrub sponges, steel wool or anything similar.

Some surfaces such as nickel and pewter may be affected by the dye found in some cloths, so it is also important to avoid leaving cloths on surfaces.

GUARANTEE

The confidence we have in the quality of our products and services enables us to offer a free peace-of-mind product guarantee from 2 years up to a lifetime guarantee against any manufacturing faults, with proof of purchase. In addition, our attentive customer service team are available to help solve any problems which may arise quickly and effectively so you can enjoy your bathroom.

To see the specific guarantee for this product, scan the QR Code or visit the following URL:

<https://www.heritagebathrooms.com/service-centre/guarantee>



NEED HELP?

If your product does not function correctly when you first use it, contact your plumber and make sure that it has been installed and commissioned in line with this Installation and User Guide supplied with the product. If this doesn't solve the problem, then please visit <https://www.heritagebathrooms.com/service-centre/help-and-advice> for some helpful hints and tips; or contact Heritage Customer Service on 0330 026 8503 where our expert team of advisors will be able to offer you, or your plumber, help and advice.



HERITAGE[®]

BATHROOMS

We love to see how Heritage products are used so please keep in touch and share pictures of your new bathroom with us.



@heritagebathrooms

If you have any queries, our dedicated customer service teams and products experts are available to help.

Email us enquire@heritagebathrooms.com Call us **0330 026 8503** Website www.heritagebathrooms.com

UK: Heritage Bathrooms, Pooley Hall Drive, Birch Coppice Business Park, Dordon, Tamworth B78 1SG

EU: Masco Europe S.à.r.l., 14 Rue Strachen, 6933 Mensdorf, Luxembourg.