

AVEDUAL01

AVENBURY Shower Range

Avenbury Exposed Thermostatic Dual Control Shower Valve with Deluxe Fixed Riser Kit and Diverter to Handset Chrome



Features:

- Optimised for UK market, designed to work at pressure range of 0.2 - 5.0 bar
- Thermostatic temperature control and automatic stop prevent surges of hot or cold water
- Performance Flow to provide a drenching experience
- Extra large 8" shower rose
- Deluxe handset and soap basket included
- Stylish wide bore rigid riser for optimised flow
- Exposed

Product Certifications:

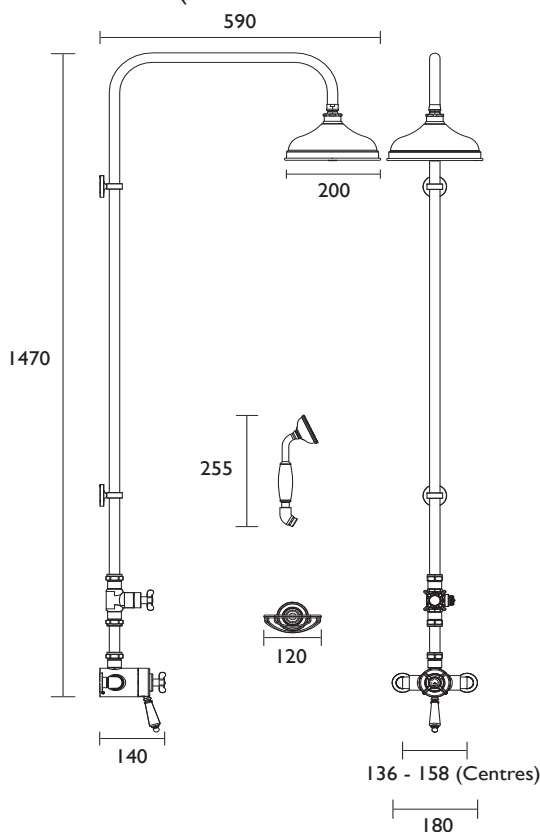


Additional Information:

Specification

Main Construction Material:	Brass
No of Controls:	2
Shower Type:	Exposed Thermostatic Shower
Shower Head Type:	8" Shower Rose & Deluxe Handset
Handle Type:	Crosshead
Valve/Cartridge Type:	Thermostatic Cartridge
Maximum Hot Water Supply Temperature °C:	65
Maximum Static Pressure: (bar)	10
Plumbing System Suitability:	All - Ideally Balanced
Working Pressure Range:	Min. 0.2 Bar, Max 5.0 Bar
Connection Inlet:	15mm Compression
Connection Outlet:	15mm Compression & G1/2"
Isolation Valve Included:	No
Check Valve Included:	Yes

Dimensions (measurements in mm)



Flow Rates (l/min)

System Pressure (bar)	0.2	0.5	1	2	3	5
Through Handset (mixed)	3.4	7.3	10.8	15.6	19	24.6
Through Fixed Head (mixed)	4.2	9.5	15	22	26.9	34.7

TECHNICAL DATA SHEET



HERITAGE[®]

BATHROOMS

D2