

# SHDDUAL03

## HARTLEBURY Shower Range

Hartlebury Recessed Thermostatic Dual Control Shower Valve with Premium Fixed Head Kit Chrome



### Specification

Main Construction Material:	Brass
No of Controls:	2
Shower Type:	Recessed Thermostatic Shower
Shower Head Type:	6" Shower Rose & Premium Handset
Handle Types:	Crosshead
Valve/Cartridge Type:	Thermostatic Cartridge
Maximum Hot Water Supply Temperature °C:	65
Maximum Static Pressure: (bar)	10
Plumbing System Suitability:	All - Ideally Balanced
Working Pressure Range:	Min. 0.2 Bar, Max. 5.0 Bar
Connection Inlet:	15mm Compression
Connection Outlet:	15mm Compression & G 1/2"
Isolation Valve Included:	No
Check Valve Included:	Yes

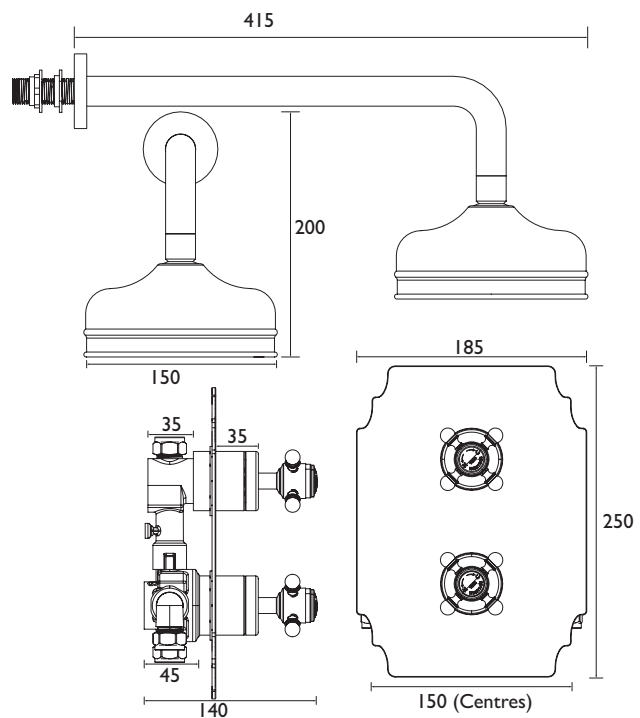
### Features:

- Optimised for UK market, designed to work at pressure range of 0.2 - 5.0bar
- Thermostatic temperature control and automatic stop prevent surges of hot or cold water
- Performance Flow to provide a drenching experience
- Smallest recessed valve on the market, will fit into a 35mm cavity space
- Large 6" shower rose
- Ceramic disc - for smooth operation and added durability
- Recessed

### Product Certifications:



### Dimensions (measurements in mm)



### Additional Information:

### Flow Rates (l/min)

System Pressure (bar)	0.2	0.5	1	2	3	5
Through Handset (mixed)	9.39	14.85	21	29.7	36.37	46.96

TECHNICAL DATA SHEET



HERITAGE<sup>®</sup>  
BATHROOMS

D2