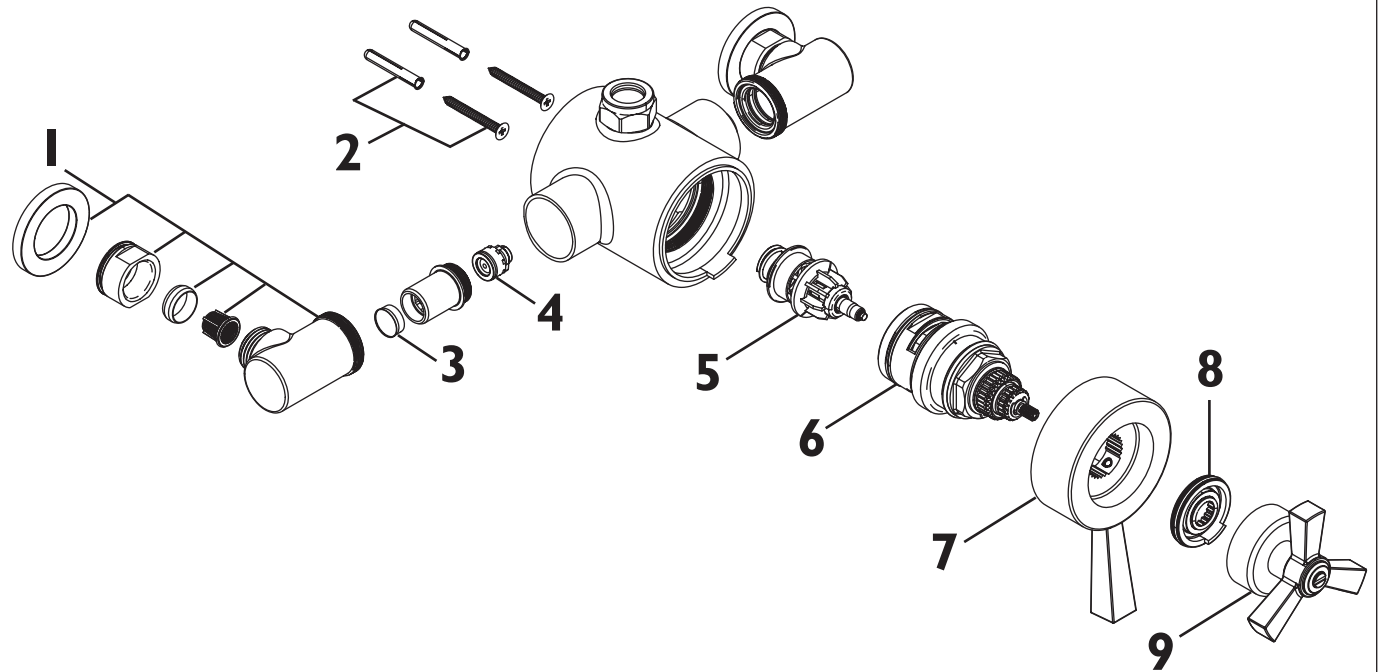


Product Code: SGRDMOPDUAL01

Revision: D2

1	Elbow Assembly (Pair)
2	Fixing Kit
3	8lpm Flow Limiter White
4	1/2" Check Valve
5	Thermostat and Piston Assembly
6	Thermostatic Cartridge
7	Flow Handle Assembly
8	Temperature Stop
9	Temperature Handle Assembly
10	Handset Holder
11	22m Nut & Olive
12	Diverter Cartridge
13	Shroud
14	Diverter Handle Assembly
15	5ft Cone to Nut Hose
16	Handset
17	200mm Fixed Head
18	Wall Bracket Assembly
19	Riser Rail Kit
20	Nut, Olive and Connector



Product Code: SGRDMOPDUAL01

Revision: D2

1	Elbow Assembly (Pair)
2	Fixing Kit
3	8lpm Flow Limiter White
4	1/2" Check Valve
5	Thermostat and Piston Assembly
6	Thermostatic Cartridge
7	Flow Handle Assembly
8	Temperature Stop
9	Temperature Handle Assembly
10	Handset Holder
11	22m Nut & Olive
12	Diverter Cartridge
13	Shroud
14	Diverter Handle Assembly
15	5ft Cone to Nut Hose
16	Handset
17	200mm Fixed Head
18	Wall Bracket Assembly
19	Riser Rail Kit
20	Nut, Olive and Connector

