

# SGRDDUAL03

## GRACECHURCH Shower Range

Gracechurch Recessed Thermostatic Dual Control Shower Valve with Deluxe Fixed Head and Flexible Riser Kits Chrome



### Specification

Finish/Colour:	Chrome Plated
Main Construction Material:	Brass
No of Controls:	2
Shower Type:	Recessed Showers
Shower Head Type:	Fixed Head with Swivel
Shower Kit:	Adjustable Riser with Fixed Head
Valve/Cartridge Type:	Thermostatic Cartridge
Maximum Hot Water Supply Temperature °C:	65
Plumbing System Suitability:	Suitable for all plumbing systems
Minimum Dynamic Pressure (bar):	0.2
Maximum Dynamic Pressure (bar):	5
Maximum Static Pressure (bar):	10
Connection Inlet:	15mm Compression
Connection Outlet:	G 1/2"
Isolation Valve Included:	No
Check Valve Included:	Yes

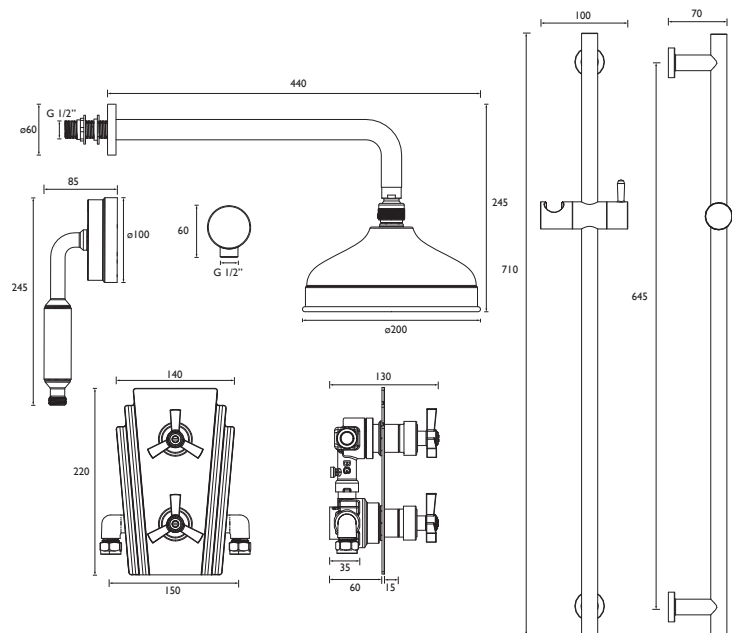
### Features:

- Optimised for UK market, designed to work at pressure range of 0.2 - 5.0bar
- Thermostatic temperature control and automatic stop prevent surges of hot or cold water
- Performance Flow to provide a drenching experience
- Smallest recessed valve on the market, will fit into a 35mm cavity space
- Extra-large 8" shower rose, deluxe 4" handset and hose outlet included

### Product Certifications:



### Dimensions (measurements in mm)



### Additional Information:

### Flow Rates (l/min)

System Pressure (bar)	0.2	0.5	1	2	3	5
Through Handset (mixed with regulators)	3.8	5.8	8.7	9.4	10.3	11.1
Through Handset (mixed; no regulators)	4.3	7	10.5	15.6	19.9	27.4
Through Fixed Head (mixed with regulators)	4.5	6.9	9.2	9.3	10.4	11.4
Through Fixed Head (mixed; no regulators)	5.3	9.1	14.1	20.2	25	32.3

# TECHNICAL DATA SHEET



# HERITAGE<sup>®</sup>

BATHROOMS

D4