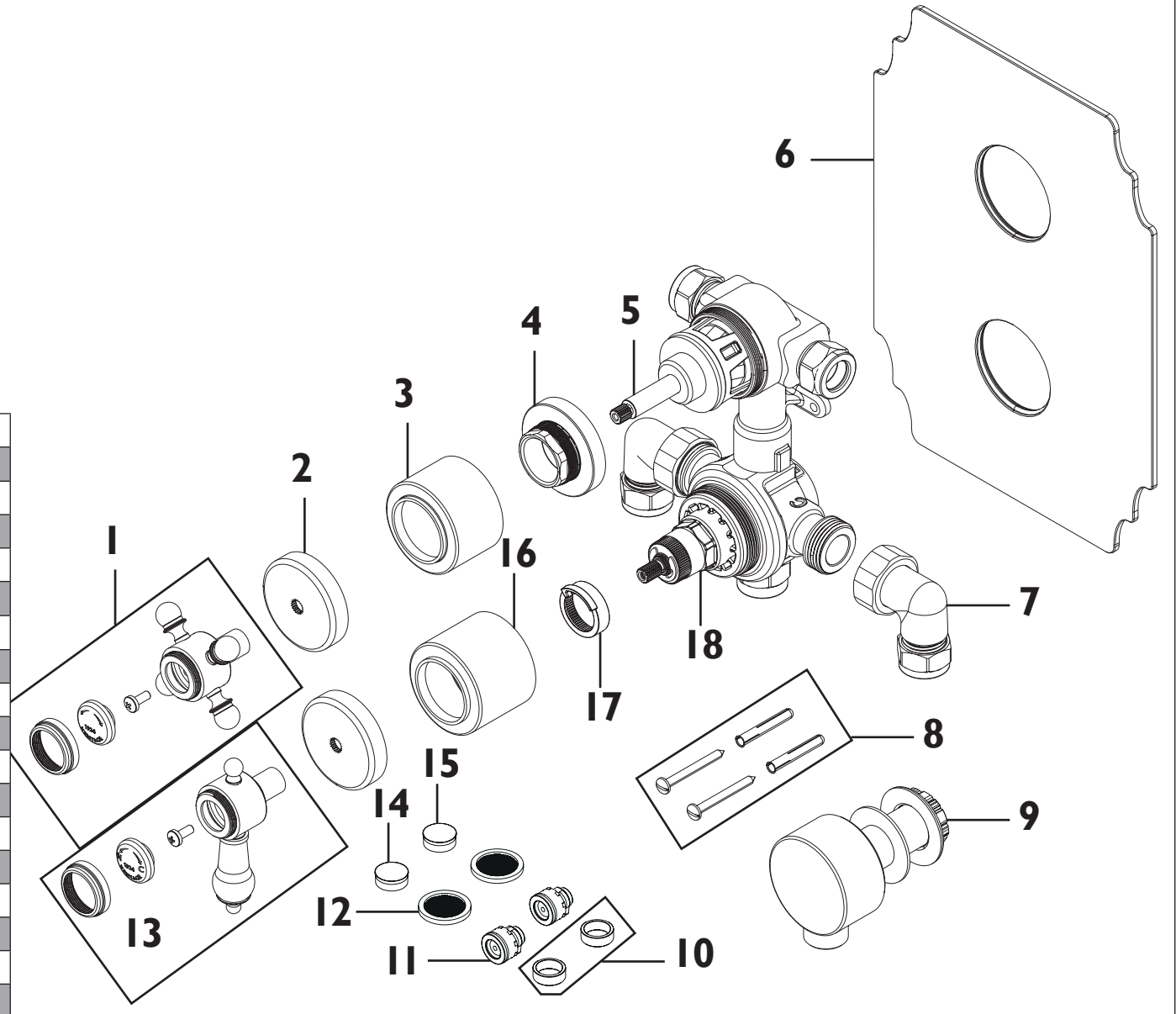


Product Code: SGDUAL03-04-06

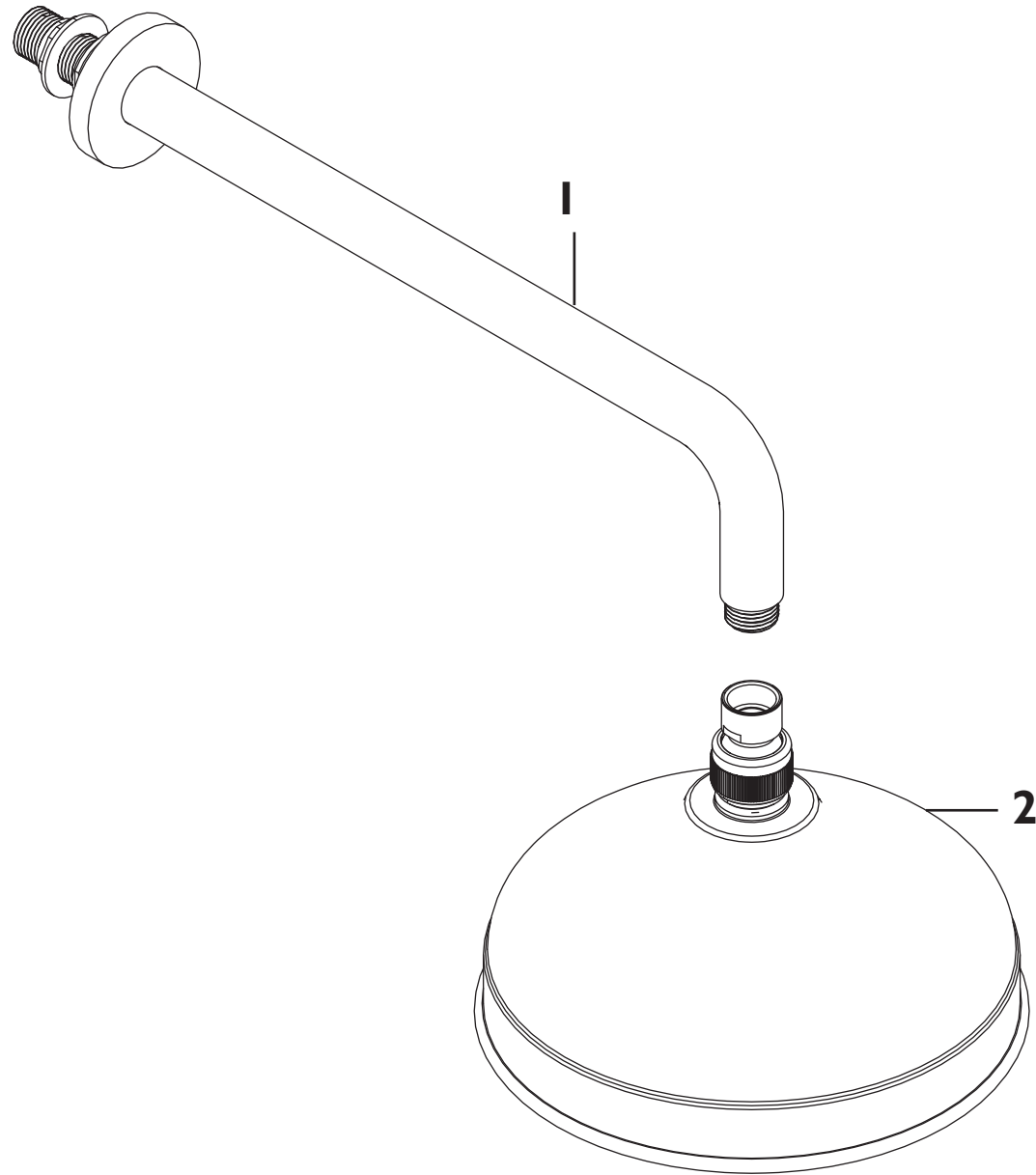
Revision: D4

1A	Diverter Handle Assembly
2A	Handle Adaptor
3A	Diverter Shroud
4A	Diverter Retaining Nut
5A	Diverter Cartridge
6A	Concealing Plate
7A	Elbow Assembly
8A	Screw Pack
9A	Wall Outlet
10A	Inserts (Pair)
11A	Check Valve
12A	Filter Washer
13A	Temperature Handle Assembly
14A	5lpm Flow Limiter
15A	7lpm Flow Limiter
16A	Temperature Shroud
17A	Temperature Stop
18A	Thermostatic Cartridge



Product Code: SGDUAL03-04-06

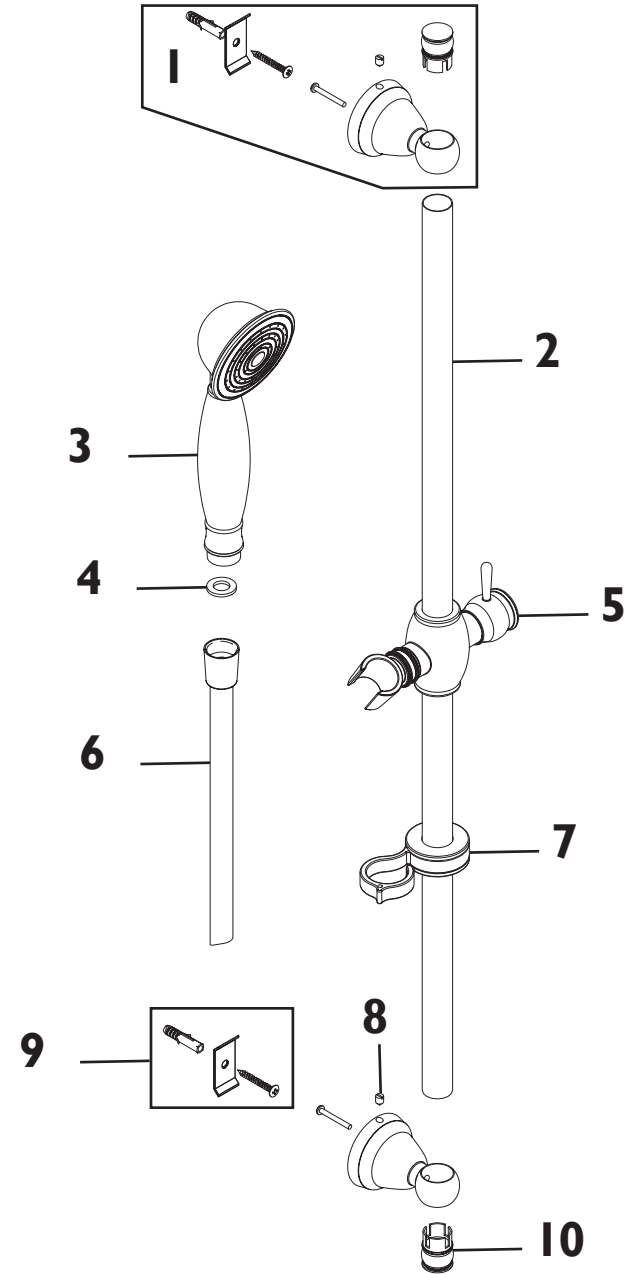
Revision: D4



1B	Shower Arm Assembly
2B	Fixed Head

Product Code: SGDUAL03-04-06

Revision: D4



1C	Wall Bracket Assembly
2C	680mm Riser Rail
3C	Single Function Handset
4C	Sealing Washer
5C	Slider
6C	1.5m Cone to Nut Hose
7C	Hose Retainer
8C	M5x8 Grub Screw
9C	Fixing Kit
10C	End Cap