



## Specification

Main Construction Material:	Brass
No of Controls:	2
Shower Type:	Exposed Thermostatic Shower
Handle Type:	Lever
Valve/Cartridge Type:	Thermostatic Cartridge
Maximum Hot Water Supply Temperature °C:	65
Maximum Static Pressure: (bar)	10
Plumbing System Suitability:	All - Ideally Balanced
Working Pressure Range:	Min. 0.2 Bar, Max 5.0 Bar
Connection Inlet:	15mm Compression
Connection Outlet:	15mm Compression
Isolation Valve Included:	No
Check Valve Included:	Yes

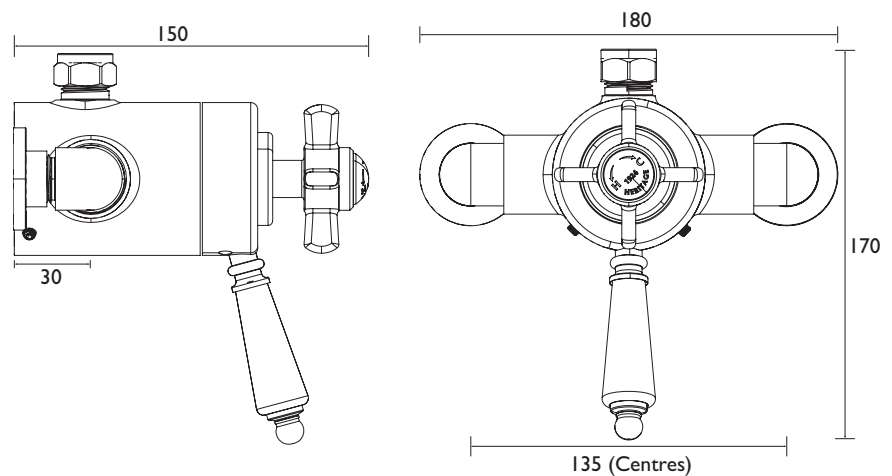
## Features:

- Optimised for UK market, designed to work at pressure range of 0.2 - 5.0bar
- Thermostatic temperature control and automatic stop prevent surges of hot or cold water
- Performance Flow to provide a drenching experience
- Adjustable inlet centres, allowing you to use existing pipework with centres measuring anything between 136mm and 158mm.

## Product Certifications:



## Dimensions (measurements in mm)



## Additional Information:

- Available in Chrome or Vintage Gold
- Take a look our Fixed Riser Kit with Diverter to Head and Handset search STC15 or STA15 on our website.

## Flow Rates (l/min)

System Pressure (bar)	0.2	0.5	1	2	3	5
Through Handset (mixed)	--	11.9	13.4	13.2	13.1	11.4
With Flow Regulators	3.46	5.47	7.74	10.94	13.4	17.3
Without Flow Regulators	7.5	14.3	20.7	30.9	--	--