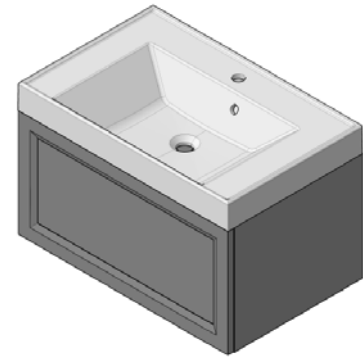


## Hampstead Basin Installation Guide

When you buy a Heritage product, you can be confident that it not only features a beautiful, distinctive, classic design, but that it has also been made to the very highest quality standards. To ensure that it works to its full potential, it needs to be fitted correctly. These fitting instructions have been created to give you all of the information you need and, if you need any further help, please do not hesitate to give us a call on 0844 701 8503, or email [enquire@heritagebathrooms.com](mailto:enquire@heritagebathrooms.com)

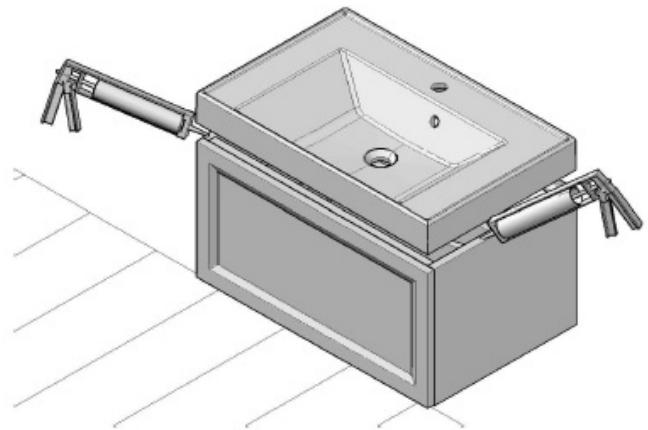


**Installation of the waste and taps** - Refer to the instructions which accompany the waste and taps selected with this product.

**Overflow** - Refer to the instructions shown on the overflow packaging which illustrate how to install this product. Please Note, it is strongly advised to fit this product before the basin is installed on the wall hung unit.

### Installation of the basin -

Ensure the basin will evenly align on top of the unit when pushed up to the wall. Remove the basin. Apply a bead of silicon sealant to the top left and right side edges of the unit only, before the basin is finally positioned.



**Certificate of Quality** - This product has been manufactured for more than 35 years according to extremely strict environmental standards and are completely in harmony with man and nature. The products consists of mineral powder/polyester resin. The surface is protected by gelcoat, which is at least 0.5mm thick.

**Resistance** - Quality criteria for our products comply with norms:

1. CE/EN - Issued by the European Committee (CEN - European Committee for standardization) - marked with "CE" symbol.

Norm EN 14688 - (for wash basins)

**Guarantee** - This product is subject of a lifetime guarantee under the guarantee section found in the Caversham Wall Hung Vanity Unit Installation Instruction Booklet.

**Aftercare** - This can be found in the aftercare section of the Caversham Wall Hung Vanity Unit Installation Instruction Booklet.