

HERITAGE

BATHROOMS

Installation Instructions

Items covered in this booklet:

Wall Hung Vanity Unit

Please keep this booklet for future reference.

Installer: When you have read these Instructions please ensure you leave them with the user.



Contents

When you purchase a Heritage product, you can be confident that it not only features a beautiful, Distinctive, classical design, but also, that it has been made to the very highest quality standards.

To ensure that it works to its full potential, it needs to be fitted correctly.

These fitting instructions have been created to give you all of the information you need and if you need any further help, please do not hesitate to give us a call on **0844 701 8503**.

Safety Information	02
Pre-Installation	03
Installation	04-05
After-care	05
Guarantee	06-07

Safety Information

Warning: Before starting any installation please consider the following: Prior to drilling into walls or floors, check that there are no hidden electrical wires, cables or water supply pipes. This can be checked with the aid of an electronic detector.

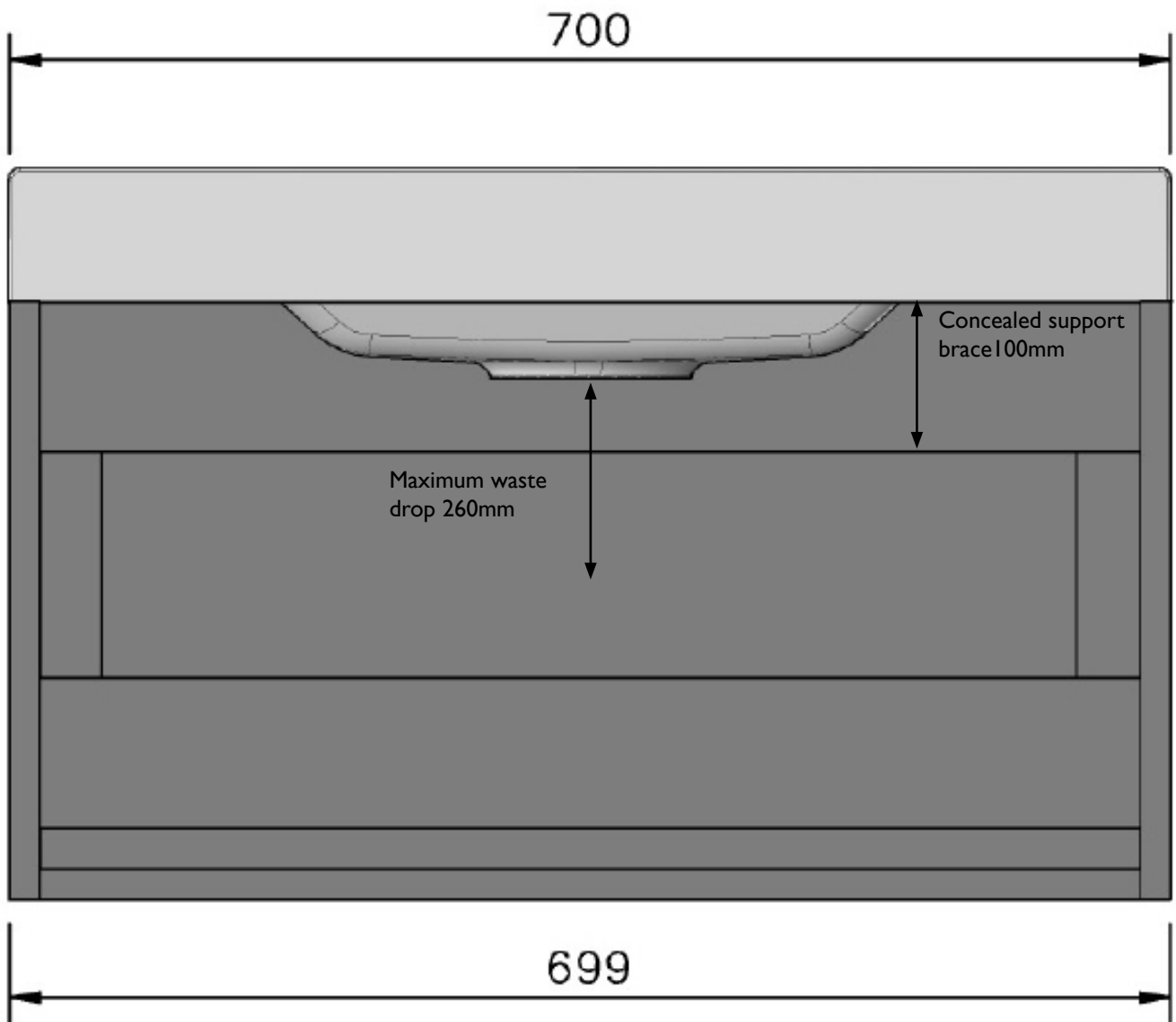
If power tools are used do not forget to:

- Wear eye protection
- Unplug equipment after use

If you are unsure at all regarding the installation of this product, you should consult a competent person with experience of installing products of this nature.

This instruction is written more to suit the single drawer version of this product because the tolerances are more accurate, for the two door version it is advised to stick with the same tolerances. Draw fitting and Removal is the same.

Dimensions





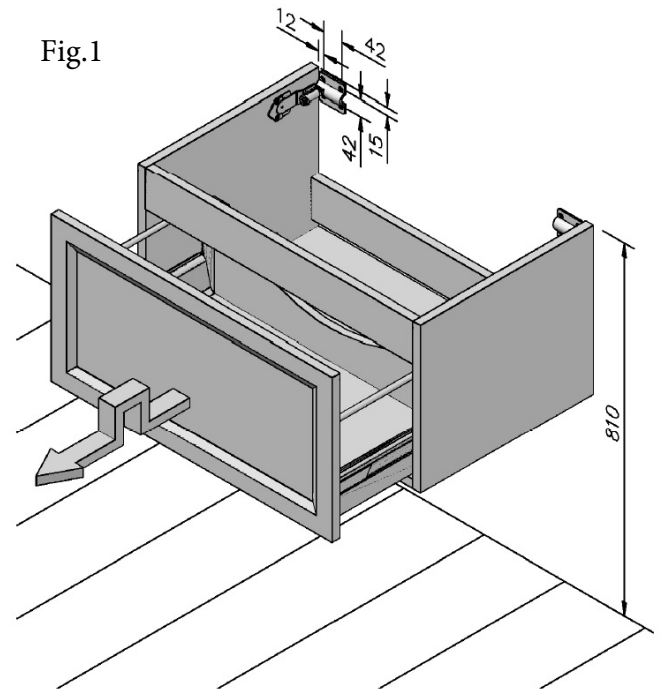
Installation

Installation Sequence

1. 'T' off all the hot and cold services at the appropriate position.
2. Locate the waste outlets according to the plan.
3. Fix the unit to the wall.
4. Fit the basin.
5. Connect and check the plumbing.

Drawer Removal

Remove the drawer for ease of installation. Fully extend the drawer out and with a sharp jolt upwards disengage the drawer from the runners (see Fig.1)



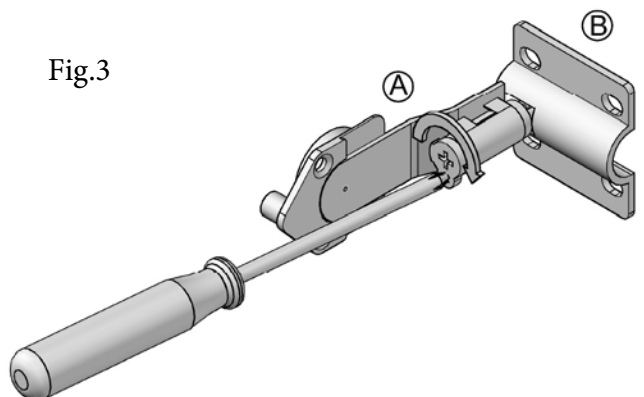
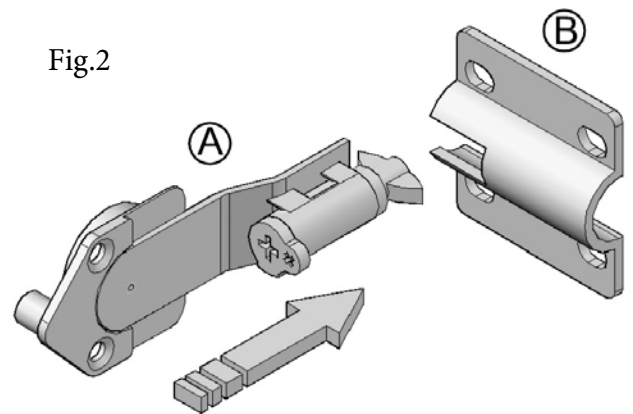
Hanging brackets

When fitting the wall suspension plates (B) use a spirit level to mark a datum line on the wall at the required height. Using the dimensions shown (See Fig.1), fix suspension plates to the wall using suitable fixings for the wall type (not supplied).

To lock the hanging brackets, push the hanging brackets (A) on the unit into the wall suspension plates (B) on the wall (See Fig.2), then with a Phillips screwdriver turn the offset screw on bracket (A) 90 degrees clockwise (See Fig.3).

To tighten the unit to the wall, turn the central screw clockwise on bracket (A) until the carcass is tight to the wall.

Additional screws should be fitted through the back rail into the wall using suitable fixings for the wall type (not supplied).

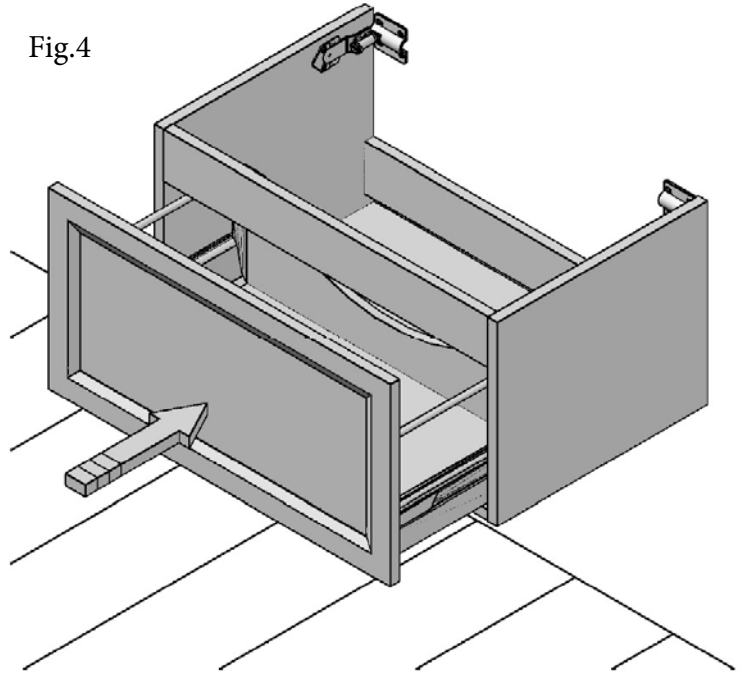


Installation & Adjustment

Drawer Insertion

Make sure both runners are pushed all the way into the unit. Place the drawer on the runners and slide towards the back of the unit until the drawer engages onto the runners (See Fig.4)

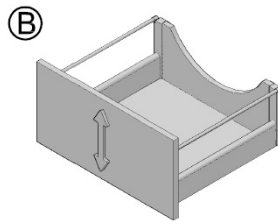
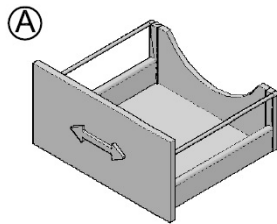
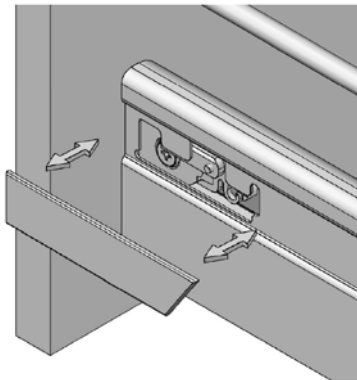
Fig.4



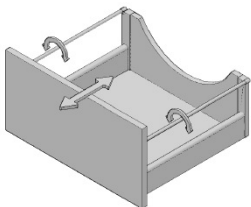
Drawer front adjustment and removal

To remove the drawer side cover caps wrap a soft cloth around a flat bladed screwdriver and carefully insert it under the cover cap then twist to remove (See Fig.5)

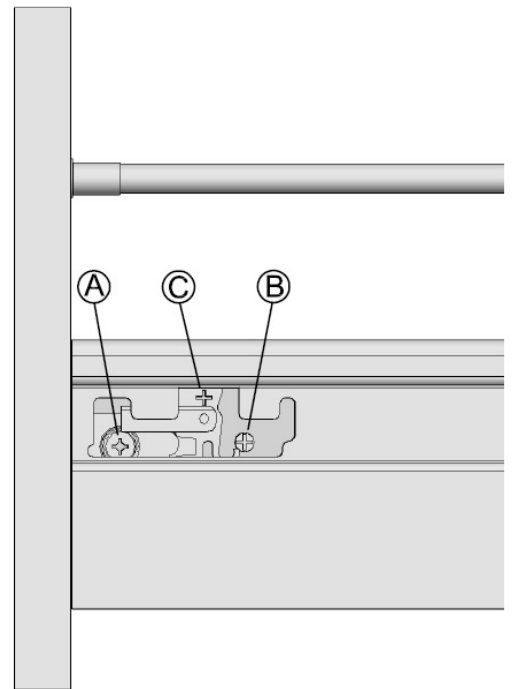
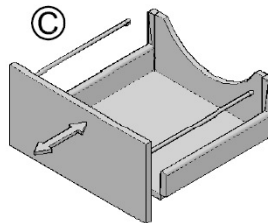
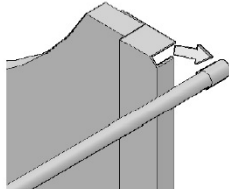
Fig.5



Tilt adjustment



Drawer front removal



Drawer handle

Mark your handle/knob position on the rear face of the drawer. Drill a 1mm pilot hole through from the rear face, then turn over the drawer and drill a 5mm hole through the front face. Fix handle(s) with the screw provided, Note, see the Dimensions for any critical dimensions.



Heritage Bathrooms Guarantee

When you buy a Heritage product, you can be confident that it not only features distinctive design, but that it has also been made to meet our rigorous quality standards.

We offer robust guarantees and an attentive after-care service to ensure that if you do experience any issues, we can deal with a problem quickly, and effectively,

Please note that guarantees are only valid with proof of purchase,

Our guarantees are as follows:



2 Years on
Mirrors & WC
Seats



5 Years on
Bath Screens,
Furniture,
Shower Valves,
Taps, Wastes &
Accessories



Lifetime Guarantees on Acrylic & Cast Iron Baths and Sanitary-ware

Register now for additional peace of mind

Register your product with us now and, if you do have any queries after installation, we'll be able to quickly identify the product and give you the best advice. It also means that you won't have to keep your proof of purchase to validate your guarantee. To register, simply go on-line at www.heritagebathrooms.com/register

Guarantee Terms and Conditions

The guarantee is in addition to your statutory and other legal rights and is subject to the following conditions:

- The product was purchased within the United Kingdom or Republic of Ireland
- The product is used in domestic applications only
- The guarantee applies solely to the original purchaser with proof of purchase
- The installation must allow ready access to all products for the purpose of inspection, maintenance or replacement
- Repair under this guarantee does not extend the original expiry date. The guarantee on any replacement parts or product ends at the original expiry date

Any parts found to be defective during the guarantee period will be replaced without charge, providing that the product has been installed in accordance with the instructions given in this guide and used as the manufacturer intended. If the product is no longer available, Heritage will endeavour to provide the nearest equivalent.

Heritage Bathrooms Guarantee

The guarantee does not cover:

- Damage or defects caused by
 - General wear and tear (including special non-chrome finishes; components such as filters, seals, o-rings and washers)
 - Incorrect installation
 - Repair using non-Heritage parts
 - Accidental or wilful misuse
 - Corrosion and the use of inappropriate cleaning products
 - System debris including the build-up of lime-scale (which can be controlled through regular servicing and maintenance)
- Compensation for loss of use of the product or consequential loss of any kind

In the interests of continuous product improvement, Heritage reserves the right to alter product specifications without notice.

Need help?

In the unlikely event that you encounter a problem with your Heritage product, you must, in the first instance contact the retailer you purchased it from. They will advise as to whether it is due to a manufacturing fault or an installation fault. If the problem is due to a manufacturing fault, they will contact us to arrange a supply of a replacement product as soon as possible. To speak to a Heritage customer service advisor, please contact our technical helpline on **0844 701 8503**.

After-care

Your fitting has a high quality finish and should be treated with care to preserve the visible surfaces.

All surface finishes will wear if not cleaned correctly, the only safe way to clean your product, is to wipe with a soft damp cloth. Stains can be removed using washing up liquid. All bath cleaning powders and liquids can damage the surface of your fitting, even the non-scratch cleaners.



HERITAGE®
BATHROOMS

Heritage Bathrooms
Birch Coppice Business Park
Dordon
Tamworth
B78 1SG

Website: www.heritagebathrooms.com

Telephone: 0844 701 8503

Email: technical@heritagebathrooms.com

Wall Hung Vanity Unit - DI

