

HERITAGE

BATHROOMS

INSTALLATION GUIDE



MODELS COVERED:

**Freestanding Furniture &
Wall Hung Cabinet**

Please keep this booklet for future
Reference.

Installer: when you have read these
instructions please ensure you leave them
with the user.

INTRODUCTION



Thank you for buying a Heritage Product. When you buy a Heritage product, you can be confident that it not only features a beautiful, distinctive, classic design, but that it has also been made to the very highest quality standards. To ensure that it works to its full potential, it needs to be fitted correctly.

These fitting instructions have been created to give you all of the information you need and, if you need any further help, please do not hesitate to give us a call on 0844 701 8503.

CONTENTS



| | |
|-------------------------------|-----|
| Safety Notice | 3 |
| Installer Guidelines | 3 |
| Tools Required | 3 |
| Installation | 4-8 |
| Fitting Door Hinges | 9 |
| Adjustment of Doors | 10 |
| Caring for your product | 11 |
| Guarantee | 11 |

SAFETY NOTE



Please read these instructions and retain for future use.

All products manufactured and supplied by Heritage are safe, provided they are installed correctly, used correctly, and receive regular maintenance in accordance with these instructions.

If you are in any doubt about your ability to install this product safely you must employ the services of a competent person who has experience of fitting products of this nature.

⚠ Before starting any installation project please consider the following:

- Prior to drilling into walls, check there are no hidden electrical wires or cables or water supply pipes with the aid of an electrical detector.
 - If you use power tools do not forget:
 - Wear eye protection.
 - Unplug equipment after use.
 - This product must not be modified in any way as this will invalidate the guarantee.
-

INSTALLER GUIDELINES

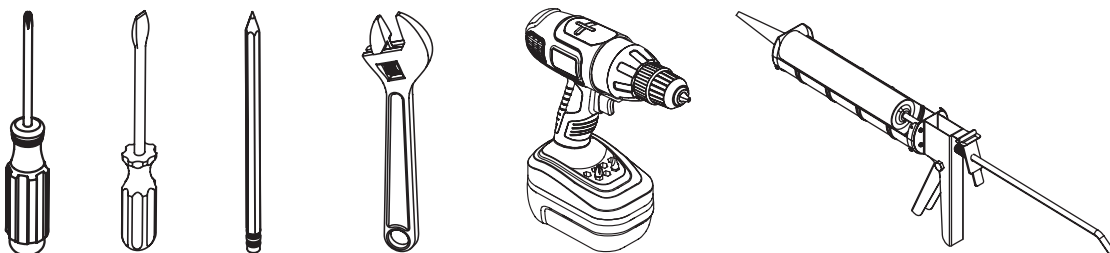


The furniture in this booklet comes mostly assembled. Shelves will need to be installed once furniture is in position and fixed.

Wall Cabinets will need to be fitted on solid walls capable of some load bearing.

The installation of these products greatly depends on the floor and wall being level. If this is not the case, it must be corrected before installation.

TOOLS REQUIRED



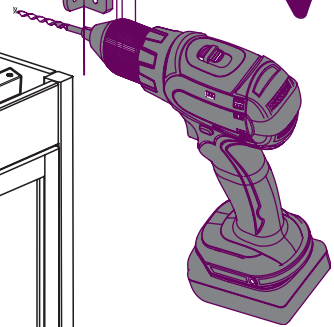
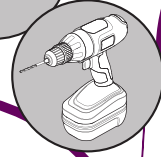
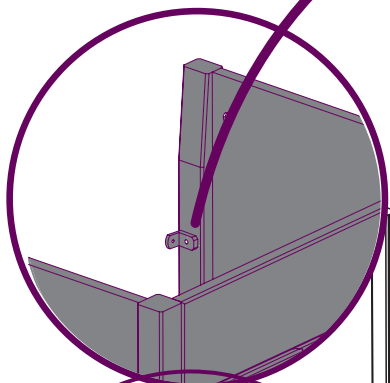
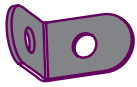
INSTALLATION OF VANITY UNITS

Position the cabinet in your required location checking the alignment with a spirit level and mark drill holes for angled brackets

(We recommend that you secure the unit to the wall using angled brackets (not supplied).

Remove the cabinet and drill holes of the appropriate size to accept the necessary screws or wall plugs used to secure.

IMPORTANT
Make sure that the length of screws will not damage the internal or external panels



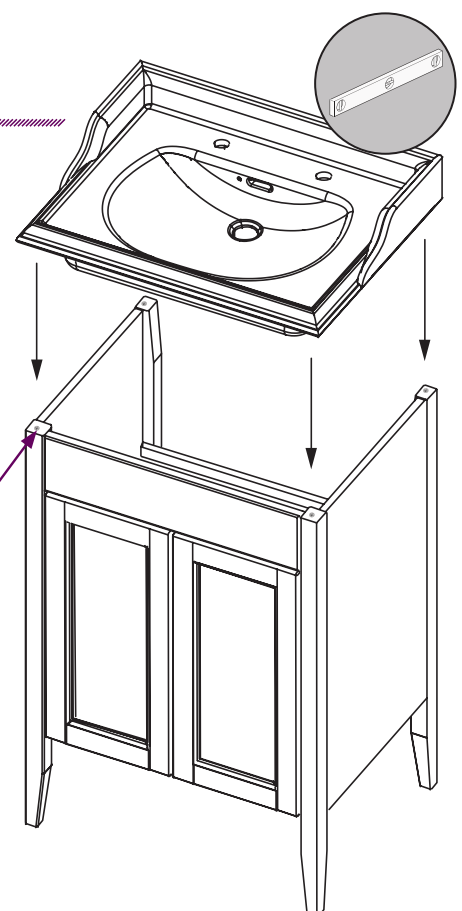
Style Tip

If required to aid installation remove required skirting boards before fixing. It is best to install the angled brackets on the inside of the freestanding furniture.

We advise that if your vanity unit has regulating screws you will need to use these to level any rocking when basin is in situ, checking with spirit level.

INSTALLER TIPS

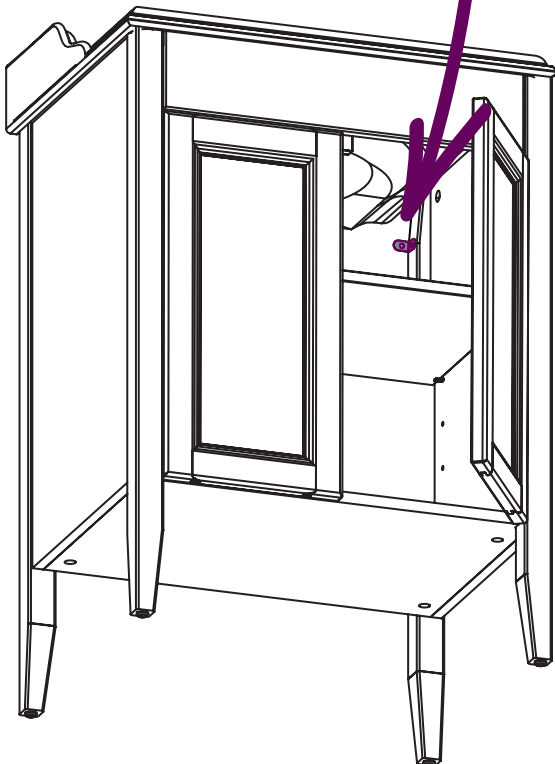
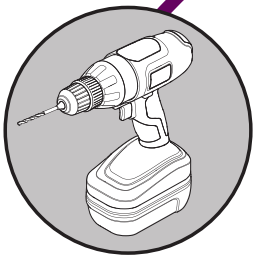
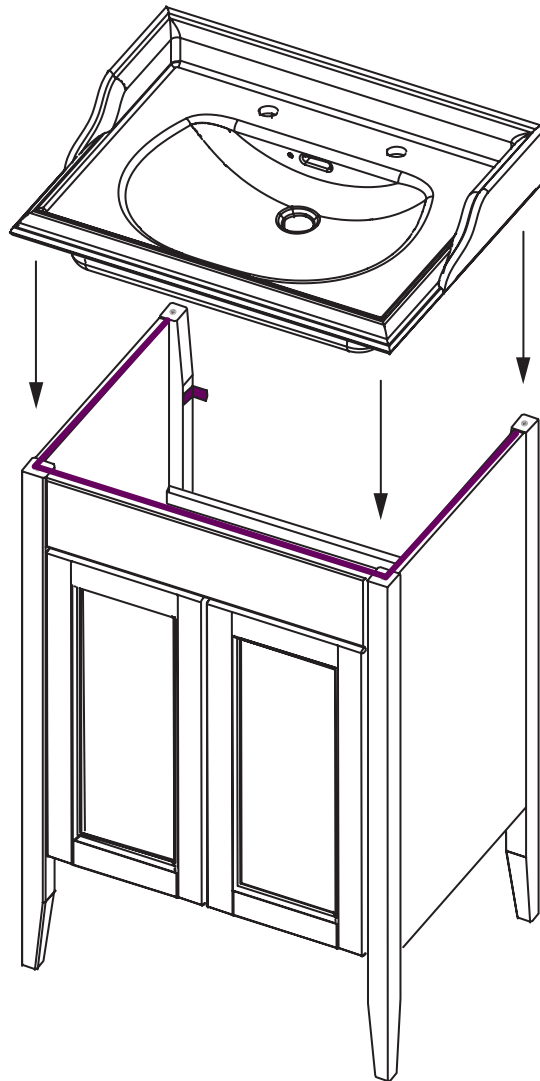
Use the supplied regulating screws to adjust the basin sitting on the furniture.



INSTALLATION OF VANITY UNITS

Once basin is level, remove and run a bead of silicone on the top edge of unit and lift the cabinet back into position and screw basin to the wall.

Follow your basin instructions to complete installation

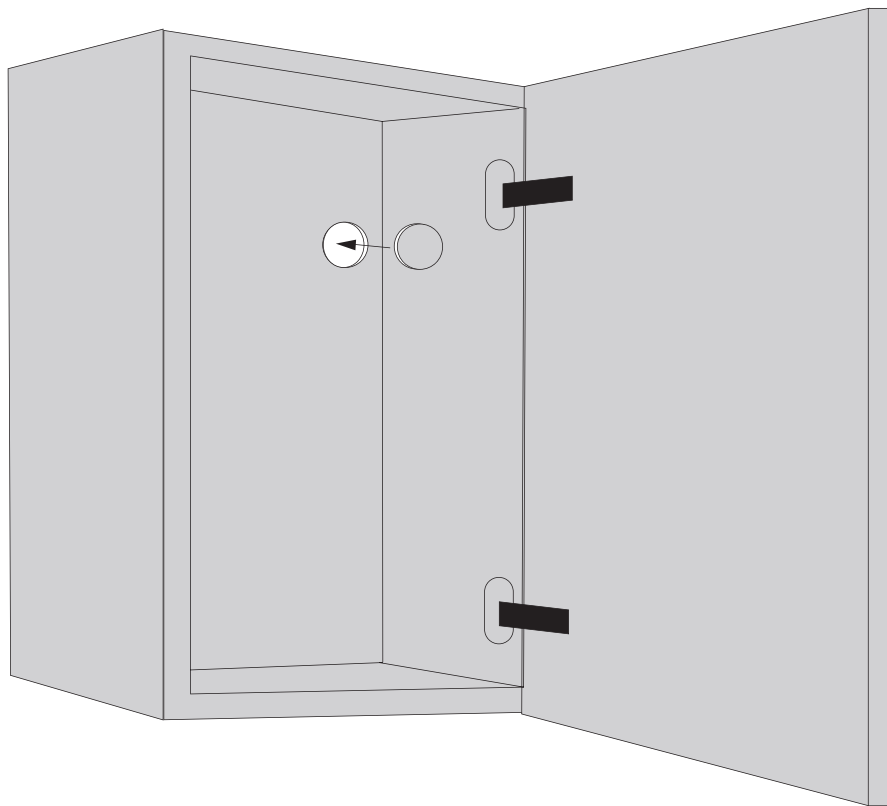


You can now secure the vanity unit to the wall using your pre drilled holes.

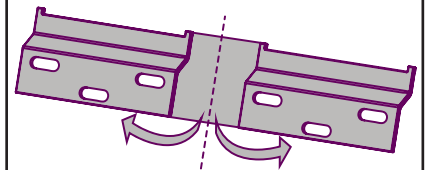
Your vanity unit is now fitted.

INSTALLATION OF WALL CABINETS

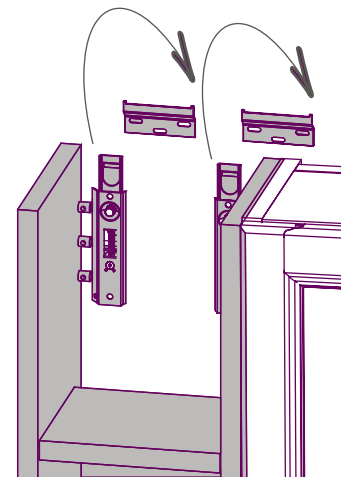
Safety Notice- All Wall Hung Units must be installed with adequate load bearing screws (not supplied) and used with the supplied wall hung brackets and plates.



INSTALLER TIPS



The wall units are supplied with suspension fittings that are pre-fitted to the back of the unit. The wall hanging brackets will be supplied joined together, you will need to separate them by snapping them apart. Hold either side of bracket and gently snap them apart.



Locate the wall units in position and mark up where they will be secured to the wall.

Using the Installer Tips above, fix the supplied wall plates, using appropriate load bearing screws that are suitable for the wall material
(Screws are not supplied)

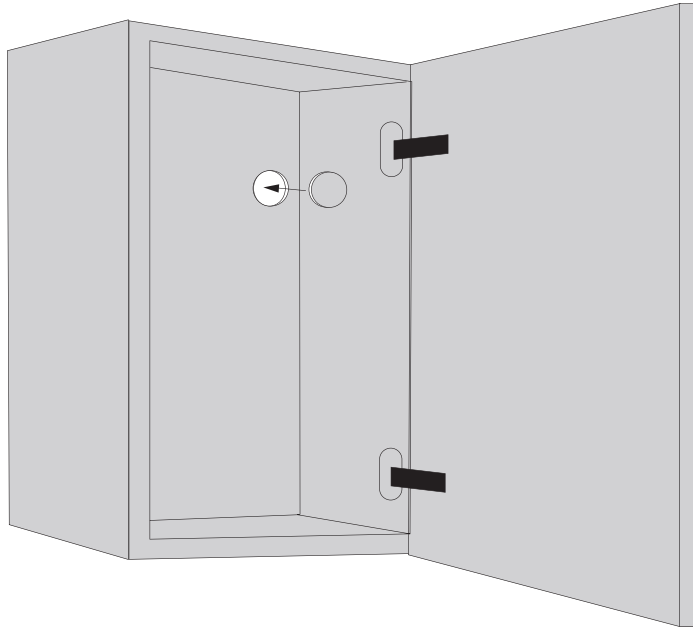
Fix to the wall at the desired height, making sure that there is enough of the fixing protruding to hang suspension fitting on.

Additional screws must be used to secure the lower part of the wall units to the wall. (Additional screws not supplied)

INSTALLATION OF WALL CABINETS



Cabinet hangers should only be adjusted with a hand tool, not with power tools



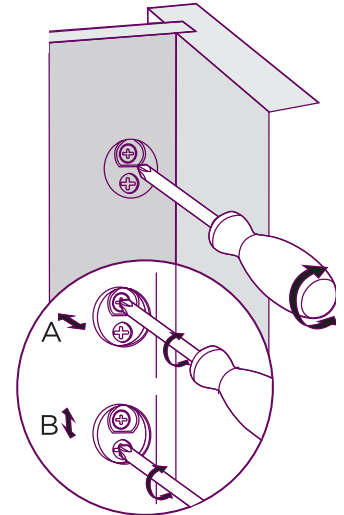
Turn the top adjustment screw to adjust the unit from front to back.
Allows unit to tilt forwards or backwards from the wall.

Insert screwdriver into hole below the top screw and turn to move unit up and down, adjust unit for height.

By adjusting at both sides the unit can be levelled.

Once adjustment has been completed, the covering caps can be pressed on to conceal the hole

INSTALLER TIPS



You can adjust how the unit sits on the wall using a screwdriver

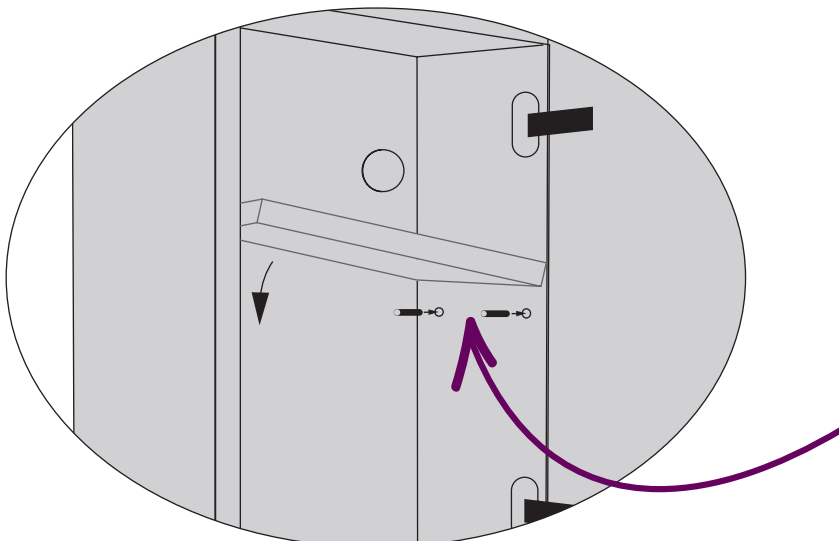
A PULLS INTO WALL

B ADJUSTS TO MAKE LEVEL

SHELF POSITIONING

We recommend that you use the loose shelves to cover the screws.

Once wall unit secured to the wall using suitable fixings put in place the shelves



Style Tip
Use the shelves to hide additional fixing screws.

INSTALLATION OF TALL BOY UNITS OR SMALL STORAGE

Our Tall Boy units give you the option to fit the door left or right handed, see p9 and p10 for full installation guide to fitting our adjustable hinges.

The Tall Boys should be attached to the wall using the shown security bracket. (safety bracket is supplied)

There is a purpose access hole drilled for this on the lower part of the unit, use the provided screw and washer to attach the bracket to the unit.

Note: Ensure you orientate the bracket as shown in the illustration.

INSTALLER TIPS

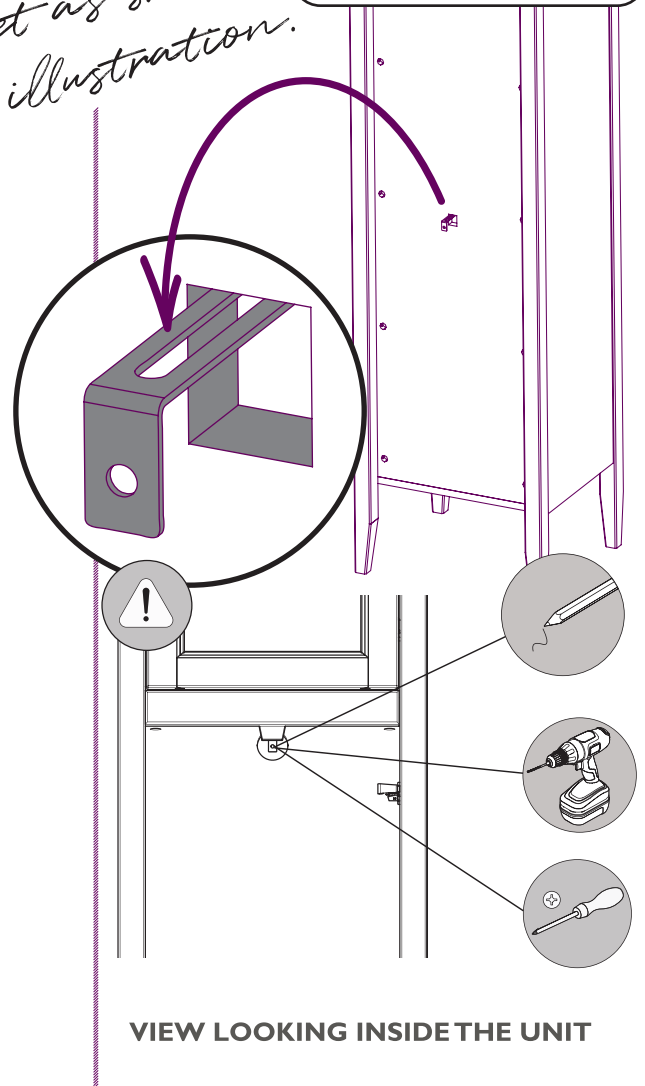
Mark the required hole using the bracket hole as a template.

Drill a suitable hole for the wall fixings used (not supplied). Attach the bracket to the wall.

IMPORTANT

Single Door Unit doors will need to be fitted depending on preferred orientation, see page 10 for details.

Ensure you orientate the bracket as shown in the illustration.



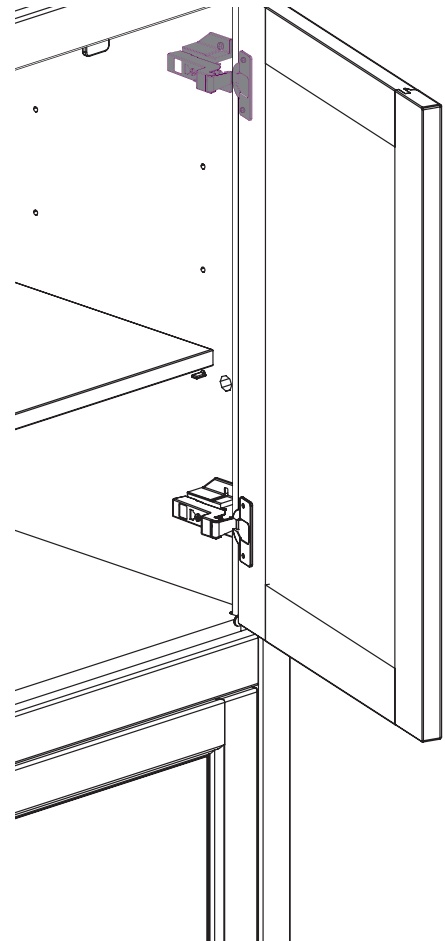
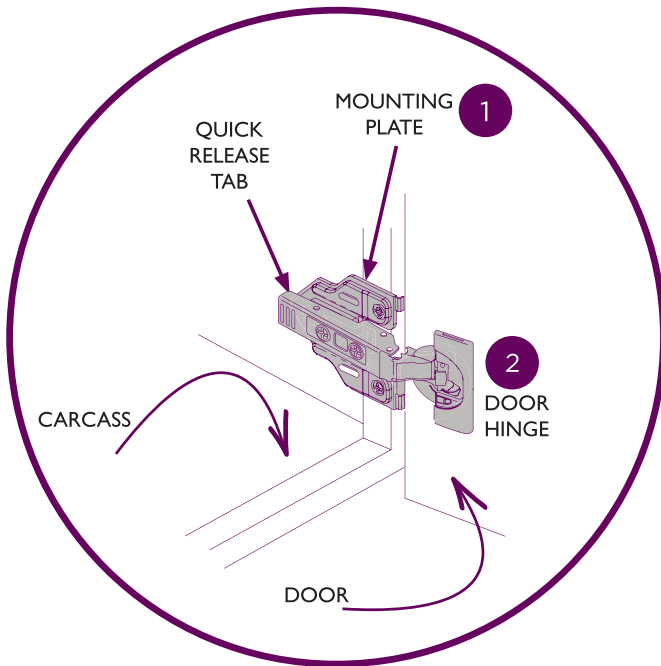
VIEW LOOKING INSIDE THE UNIT

FITTING DOOR HINGES

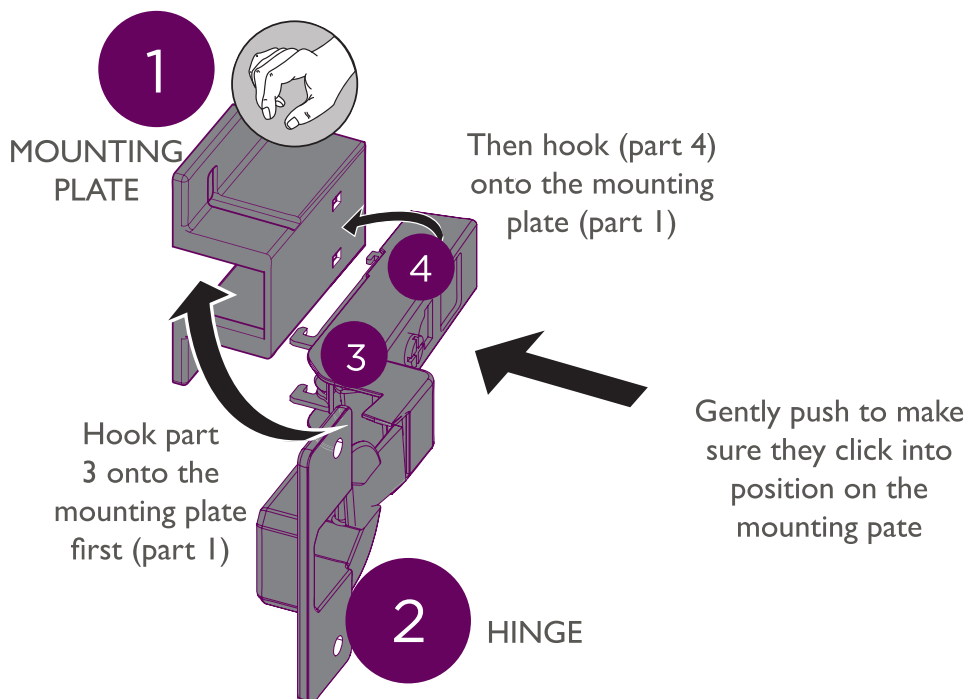
Fit mounting plate on the desired orientation of door, secure on the inside of the carcass using screws (supplied)

Fit the hinge onto the door using the supplied screws.

To secure the components follow illustration below



FITTING HINGE ONTO MOUNTING PLATE



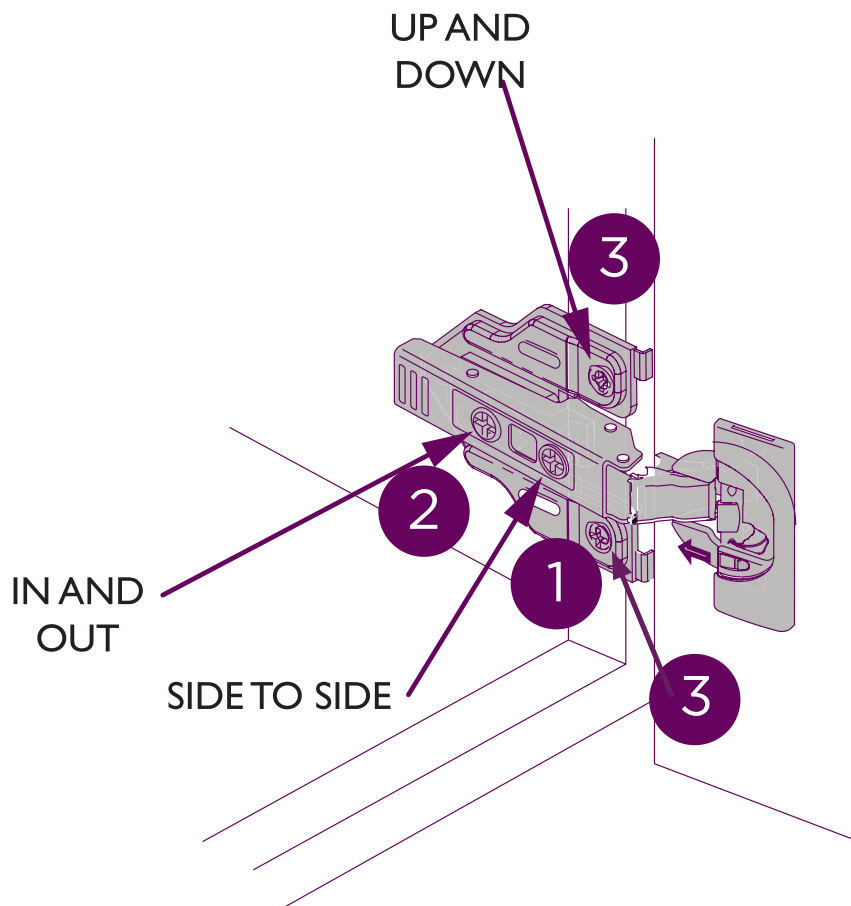
DOOR ADJUSTMENT



To adjust the doors side to side tighten/loosen screw 1

To adjust the door forwards and backwards tighten/loosen screw 2

To adjust the door up and down adjust screws 3 on the mounting plate.



CARING FOR YOUR PRODUCT



Your fitting has a high quality finish and should be treated with care to preserve the visible surface.

A few tips for preventing defects from forming:

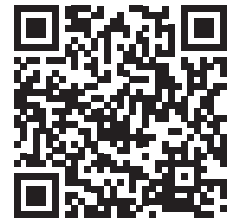
Occasionally wipe the surface with a soft damp cloth and dry with a soft dry cloth.

Do not use any abrasive cleaning agents or materials, these will change the surface condition from the standard finish.

GUARANTEE



The confidence we have in the quality of our products and services enables us to offer a free peace-of-mind product guarantee from 2 years up to a lifetime guarantee against any manufacturing faults, with proof of purchase. In addition, our attentive customer service team are available to help solve any problems which may arise quickly and effectively so you can enjoy your bathroom.



To see the specific guarantee for this product, visit the following URL or QR Code.

<http://www.heritagebathrooms.com/service-centre/guarantee>

HERITAGE[®]

BATHROOMS

We love to see how Heritage products are used so please keep in touch and share pictures of your new bathroom with us.



@heritagebathrooms

If you have any queries, our dedicated customer service teams and products experts are available to help.

Email us enquire@heritagebathrooms.com Call us 0330 026 8503 Website www.heritagebathrooms.com

Heritage Bathrooms Pooley Hall Drive, Birch Coppice Business Park, Dordon, Tamworth B78 1SG