



### Features:

- Optimised for UK market, designed to work at pressure range of 0.2 - 5.0bar
- Performance Flow to provide a drenching experience
- Suitable for cavities between 45-75mm
- Recessed

### Product Certifications:



WRAS Cert. Number: I409055  
WRAS Expiry Date: 30/09/2019



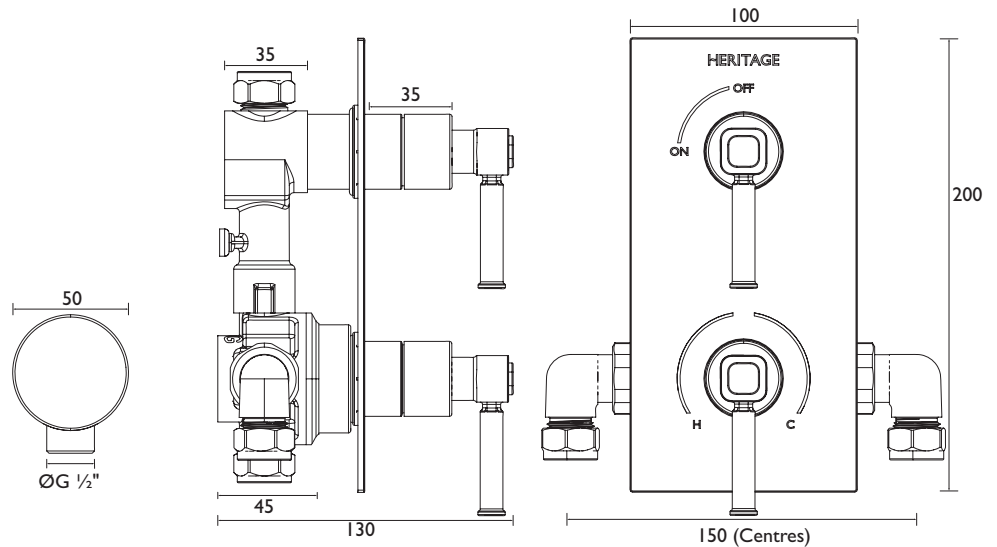
30.1 L/Min

### Additional Information:

### Specification

Main Construction Material:	Brass
No of Controls:	2
Shower Type:	Recessed Thermostatic Shower
Shower Head Type:	N/A
Handle Type:	Lever
Valve/Cartridge Type:	Thermostatic Cartridge
Maximum Hot Water Supply Temperature °C:	65
Maximum Static Pressure: (bar)	10
Plumbing System Suitability:	All - Ideally Balanced
Working Pressure Range:	Min. 0.2 Bar, Max. 5.0 Bar
Connection Inlet:	15mm Compression
Connection Outlet:	15mm Compression & G 1/2"
Isolation Valve Included:	No
Check Valve Included:	Yes

### Dimensions (measurements in mm)



### Flow Rates (l/min)

System Pressure (bar)	0.2	0.5	1	2	3	5
Through Handset (mixed)	6.3	11.7	17.3	25.3	30.1	38.8