



### Features:

- Chrome plated to BS EN 248
- 5 year guarantee
- Includes pop-up waste
- Lever handles
- Compatible with low pressure water systems, optimised for UK market
- Quarter turn ceramic discs - for smooth operation and added durability
- Available in a selection of finishes

### Product Certifications:



WRAS Certificate No.: 1806066  
WRAS Expiry Date: 30/06/2023

### Additional Information:

Other Products in the Glastonbury range include:

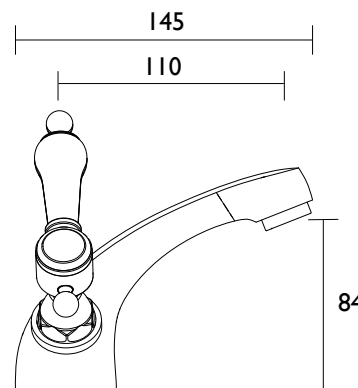
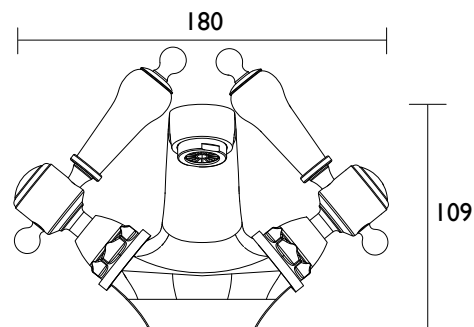
- Basin Taps
- Basin Mixer
- Bidet Mixer
- Bath Taps
- Bath Shower Mixer

Available in Chrome w/ White Handle,  
Vintage Gold w/ White Handle & Chrome w/  
Midnight Blue Handle

### Specification

Product Type:	Bathroom Tap
Main Construction Material:	Brass
Number of Controls:	3
Valve/Control Type:	Quarter Turn Ceramic Disc
Connection Inlet:	G 1/2" BSP
Connection Outlet:	Open
Plumbing System Requirements:	All - Ideally Balanced
Working Pressure Range:	Min. 0.2 Bar, Max. 5.0 Bar
Maximum Dynamic Pressure:	5
Maximum Hot Water Temperature: °C	65
Maximum Static Pressure: (bar)	10
Flow Type:	Single Flow
Isolation Included:	No

### Dimensions (measurements in mm)



### Flow Rates (l/min)

System Pressure (bar)	0.2	0.5	1	2	3	5
TGRG04	15.14	23.95	33.87	47.9	58.67	75.74