



## Specification

|  |                                   |
|--|-----------------------------------|
| <b>Product Type:</b>                     | Taps                              |
| <b>Main Construction Material:</b>       | Brass                             |
| <b>Mount Type:</b>                       | Deck Mounted                      |
| <b>Handle Type:</b>                      | Crosshead Handles                 |
| <b>Connection Inlet:</b>                 | G3/4" BSP                         |
| <b>Connection Outlet:</b>                | Open                              |
| <b>Number of Tap Holes:</b>              | 2                                 |
| <b>Valve/Cartridge Type:</b>             | 1/4 Turn 3/4" Ceramic Disc Valve  |
| <b>Plumbing System Requirements:</b>     | Suitable for all plumbing systems |
| <b>Minimum Dynamic Pressure (bar):</b>   | 0.2 bar                           |
| <b>Maximum Dynamic Pressure (bar):</b>   | 5.0 bar                           |
| <b>Maximum Hot Water Temperature °C:</b> | 60°C                              |
| <b>Maximum Static Pressure (bar):</b>    | 10 bar                            |
| <b>Flow Type:</b>                        | Single Flow                       |
| <b>Isolation Included:</b>               | No                                |

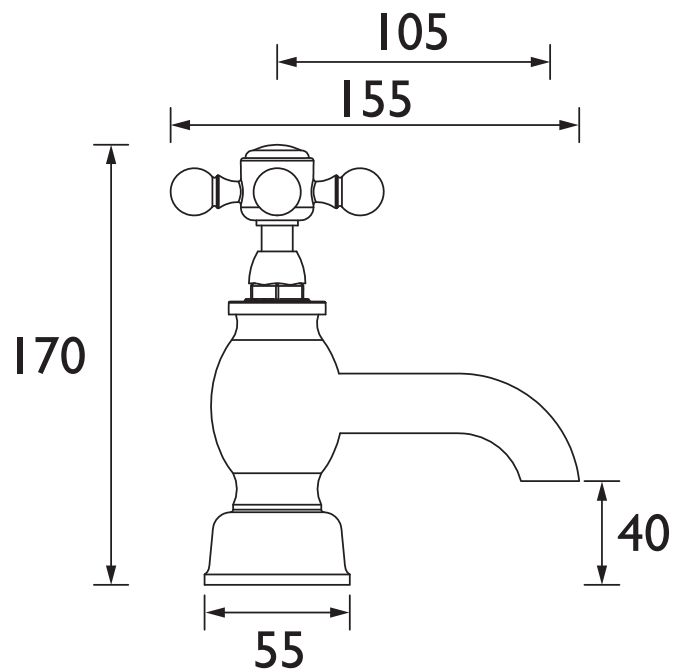
### Features:

- Compatible with low pressure water systems, optimised for UK market
- Quarter turn ceramic discs - for smooth operation and added durability
- Available in a selection of finishes

### Product Certifications:



## Dimensions (measurements in mm)



## Flow Rates (l/min)

| System Pressure (bar) | 0.2  | 0.5  | 1    | 2    | 3    | 5    |
|-----------------------|------|------|------|------|------|------|
| THRC01 (Cold)         | 12.5 | 20.1 | 27.9 | 39.5 | 48.3 | 62.4 |
| THRC01 (Hot)          | 12.9 | 20.5 | 29   | 41   | 50.2 | 64.5 |

### Additional Information: