

HERITAGE

BATHROOMS

Installation Guide



Models covered:

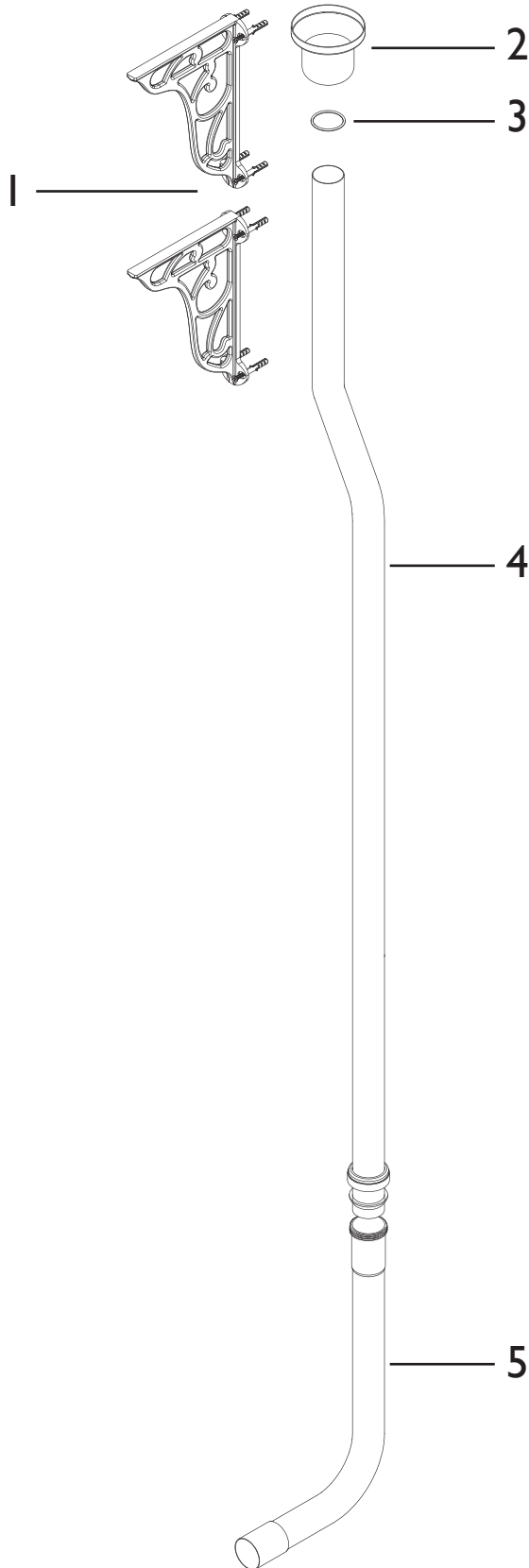
CC01 - High Level Flush Kit for Rear
Installation WC

Please keep this booklet for future
Reference.

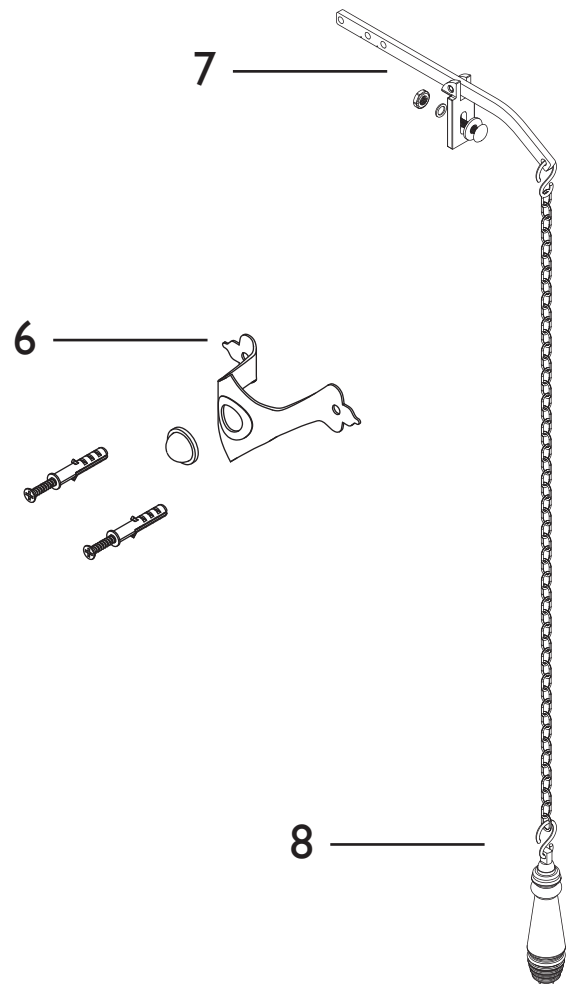
Installer: when you have read these
instructions please ensure you leave
them with the user.



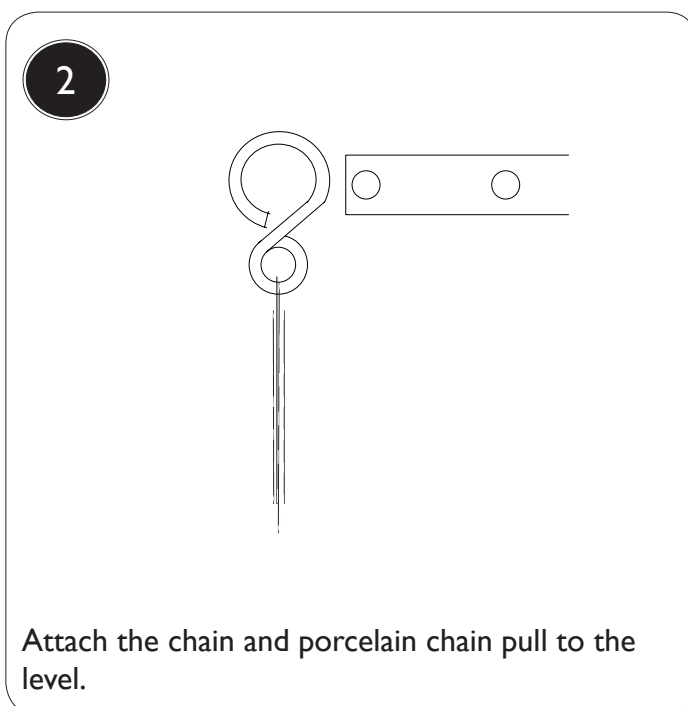
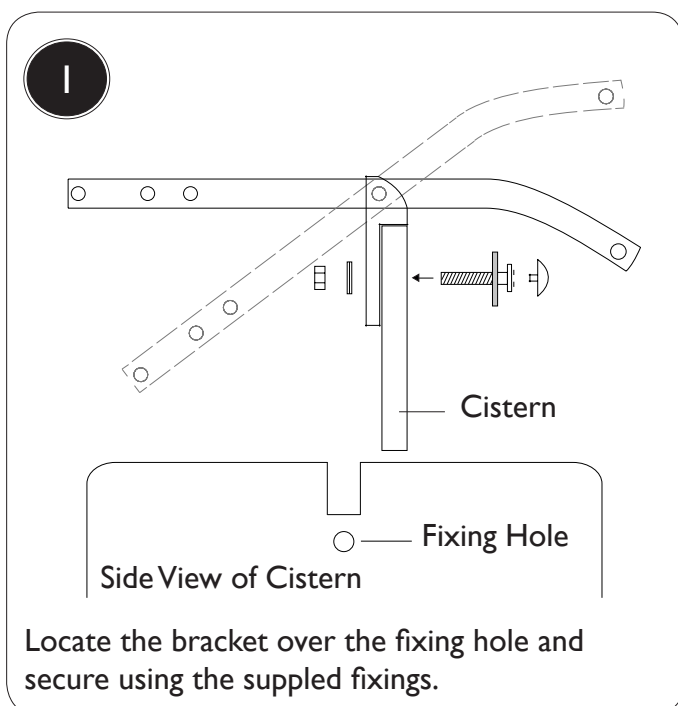
Contents



No.	Description	Qty
1	Cistern Bracket and fixings	2
2	H/L Shroud	1
3	'O' Ring	1
4	Top Pipe	1
5	Bottom Pipe	1
6	Butter Clip, Rubber & Fixings	1
7	Fulcrum Lever Assembly	1
8	Hand Pull & Chain	1



Installation



To install the pipework to this product, please refer to the Rear Flush Pipe Installation WC booklet, which accompanies your toilet pan.

Caring for your product & guarantee

Aftercare Instructions

Your fitting has a high quality finish and should be treated with care to preserve the visible surface.

All surface finishes will wear if not cleaned correctly.

The only safe way to clean your product is to wipe with a soft damp cloth. Any stains can be removed using washing up liquid.

DO NOT use cleaning powders or liquids:

Even non-scratch cleaners, can damage the surface of your fitting.

Guarantee - This product is covered under the guarantee sections shown in the Rear Flush Pipe Installation WC booklet..



HERITAGE[®]

BATHROOMS

Contact Details



Heritage Bathrooms
Birch Coppice Business Park
Dordon
Tamworth
B78 1SG

Website: www.heritagebathrooms.com
Customer Services Telephone: 0330 026 8503
Email: technical@heritagebathrooms.com

CC01 - D2