



Specification

Product Type:	Bathroom Tap
Main Construction Material:	Brass
Mount Type:	Deck Mounted
Handle Type:	Crosshead Handles
Connection Inlet:	G 1/2" BSP
Connection Outlet:	Open
Number of Tap Holes:	3
Valve/Cartridge Type:	1/4 Turn 1/2" Ceramic Disc Valve
Plumbing System Requirements:	Suitable for all plumbing systems
Minimum Dynamic Pressure (bar):	0.3 bar
Maximum Dynamic Pressure (bar):	5.0 bar
Maximum Hot Water Temperature °C:	60°C
Maximum Static Pressure (bar):	10 bar
Flow Type:	Single Flow
Isolation Included:	No

Features:

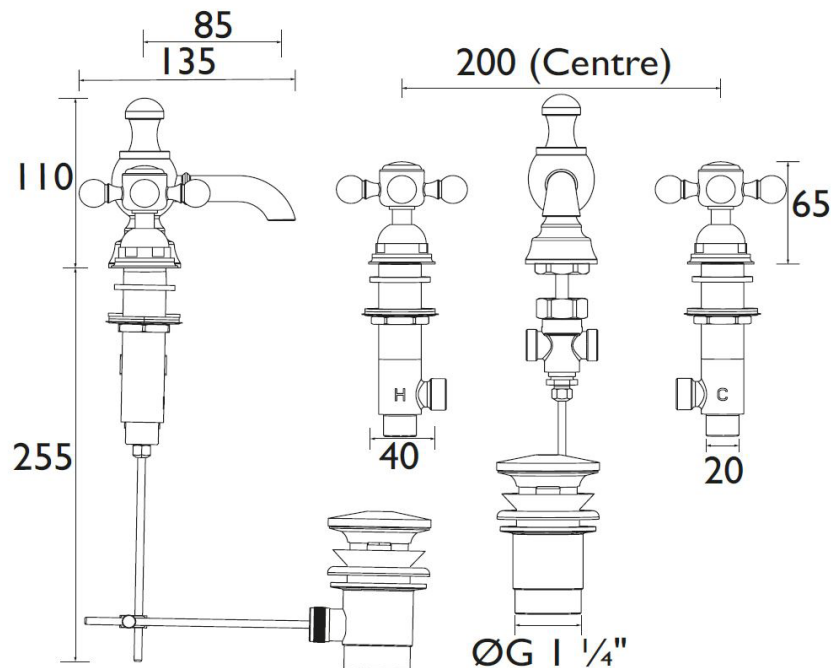
- Compatible with low pressure water systems, optimised for UK market
- Quarter turn ceramic discs - for smooth operation and added durability
- Includes pop up waste
- Available in a selection of finishes

Product Certifications:



Additional Information:

Dimensions (measurements in mm)



Flow Rates (l/min)

System Pressure (bar)	0.3	0.5	1	2	3	5
THRC06 (mixed)	12.4	16	22.7	32.1	39.3	50.7