

THRG09 Vintage Gold THRC09 Chrome

HARTLEBURY Tap Range Hartlebury 3 Taphole Swivel Spout Basin Mixer



Specification

Product Type:	Bathroom Tap
Main Construction Material:	Brass
Mount Type:	Deck Mounted
Handle Type:	Crosshead Handles
Connection Inlet:	G 1/2" BSP
Connection Outlet:	Flow Straightener
Number of Tap Holes:	3
Valve/Cartridge Type:	1/4 Turn 1/2" Ceramic Disc Valve
Plumbing System Requirements:	Suitable for all plumbing systems
Minimum Dynamic Pressure (bar):	0.4 bar
Maximum Dynamic Pressure (bar):	5.0 bar
Maximum Hot Water Temperature °C:	60°C
Maximum Static Pressure (bar):	10 bar
Flow Type:	Single Flow
Isolation Included:	No

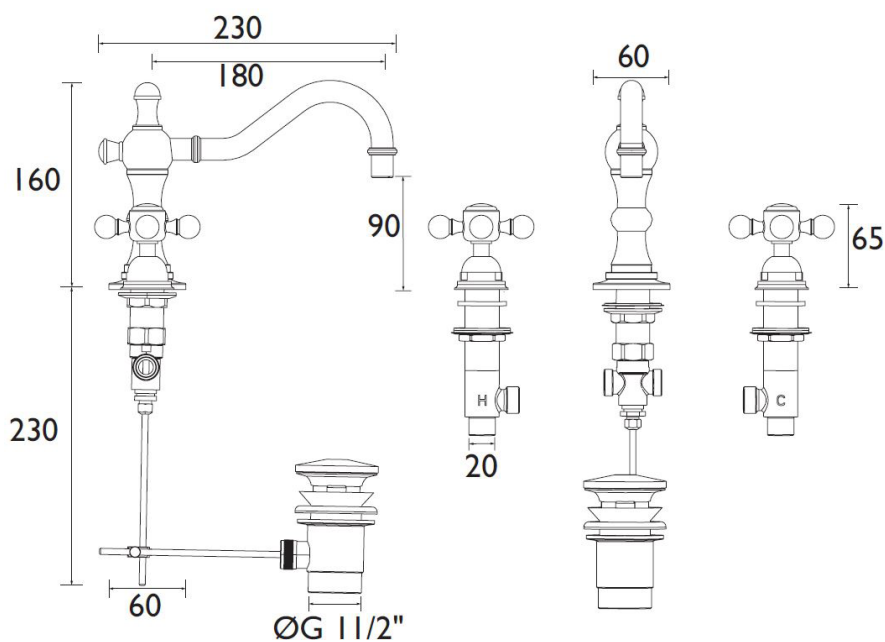
Features:

- Compatible with low pressure water systems, optimised for UK market
- Quarter turn ceramic discs - for smooth operation and added durability
- Spout swivels left to right
- Includes pop up waste
- Available in a selection of finishes
- Also available in Chrome, Vintage Gold tap shown

Product Certifications:



Dimensions (measurements in mm)



Additional Information:

Flow Rates (l/min)

System Pressure (bar)	0.4	0.5	1	2	3	5
THRG09 (mixed)	8.8	9.8	13.9	19.7	24.1	31.1

TECHNICAL DATA SHEET



*

HERITAGE[®]
BATHROOMS

D5.1