



Specification

Finish/Colour:	Chrome Plated
Main Construction Material:	Brass
No of Controls:	3
Shower Type:	Recessed Shower
Shower Head Type:	Fixed Head with Swivel
Shower Kit:	Adjustable Riser with Fixed Head
Valve/Cartridge Type:	Ceramic Disc Valve
Maximum Hot Water Supply Temperature °C:	65
Plumbing System Suitability:	Suitable for all plumbing systems, ideally balanced
Minimum Dynamic Pressure (bar):	0.2
Maximum Dynamic Pressure (bar):	5
Maximum Static Pressure (bar):	10
Connection Inlet:	15mm Compression
Connection Outlet:	G 1/2"
Isolation Valve Included:	No
Check Valve Included:	Yes

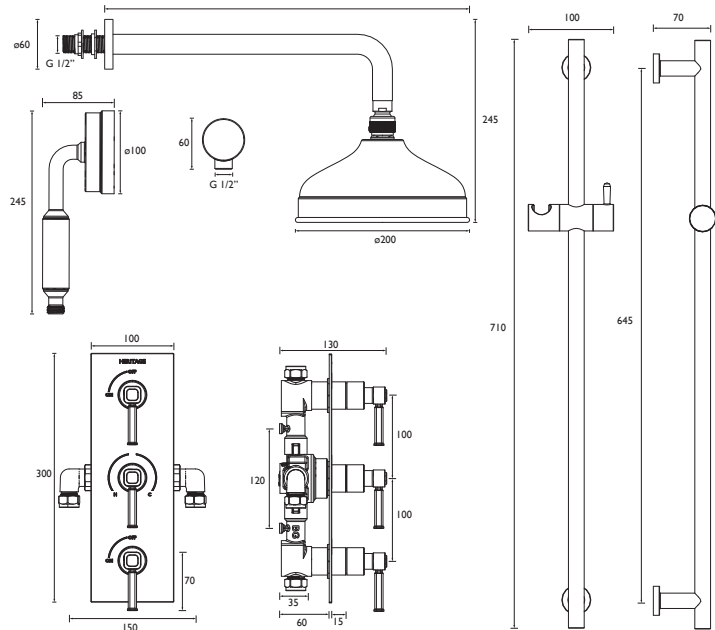
Features:

- Optimised for UK market, designed to work at pressure range of 0.2 - 5.0bar
- Thermostatic temperature control and automatic stop prevent surges of hot or cold water
- Performance Flow to provide a drenching experience
- Suitable for cavities between 45-75mm
- Extra-large 8" shower rose, deluxe 4" handset and hose outlet included

Product Certifications:



Dimensions (measurements in mm)



Additional Information:

Flow Rates (l/min)

System Pressure (bar)	0.2	0.5	1	2	3	5
Through Handset (mixed with regulators)	4	6.2	8.7	10.3	11.6	11.5
Through Handset (mixed; no regulators)	4.4	7.3	10.9	16.5	21	29.2
Through Fixed Head (mixed with regulators)	4.3	7.1	8.5	10.5	11.7	11.5
Through Fixed Head (mixed; no regulators)	5.5	9.2	14.2	20.5	25.2	32.5