

Rhyland Solid Skin Two Taphole Double Ended Acrylic Bath

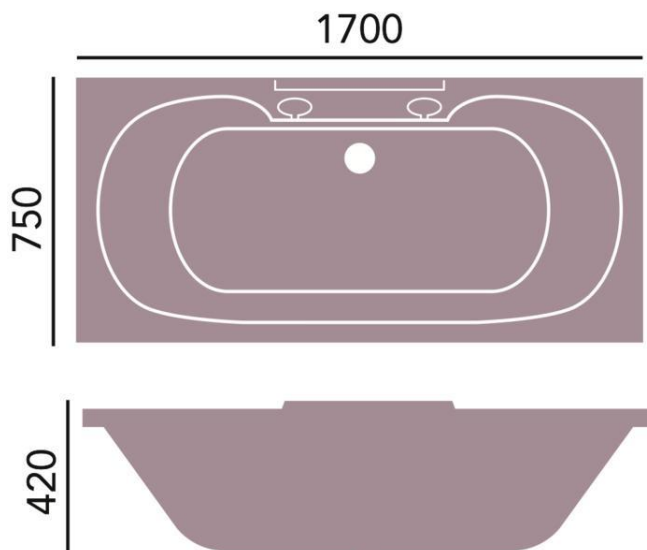
Product Specification

Product Code:	BHDW00SS
Finish:	White
Product Type:	Classic
Construction:	Cast acrylic & designed to conform to BS4305-1 & BS4305-5
Dimensions for fitting:	Height: 420mm Width: 750mm Length: 1700mm
Internal Dimensions:	Length: 1590mm Width: 570mm
Overflow to waste:	335mm
Water Capacity:	205ltr



Additional Information

- Bath panels are available separately
- Two taphole
- Solid Skin for additional reinforcement



Technical Advice: For further information please call 0844 701 8503 or email technical@heritagebathrooms.com.

Guarantee: Lifetime covering manufacturing faults.

1 year covering labour (providing the product is registered)