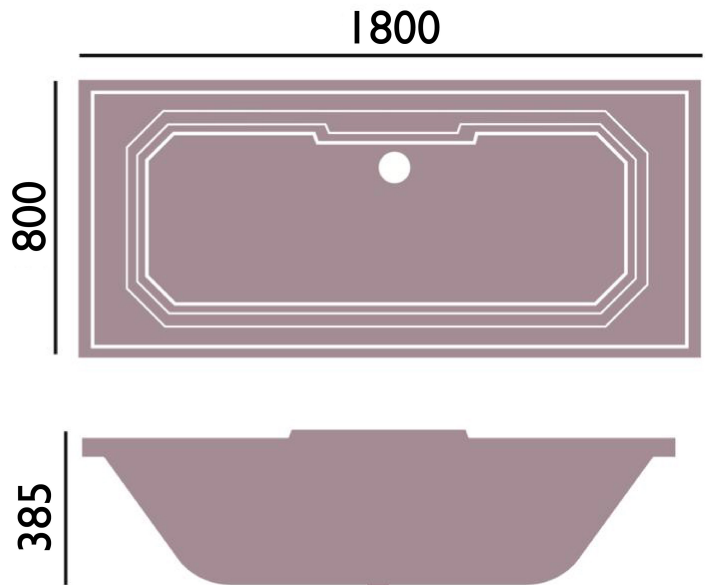


Granley Solid Skin Two Taphole Double Ended Acrylic Bath

Product Specification

Product Code:	BGDW00SS
Finish:	White
Product Type:	Classic
Construction:	Cast acrylic & designed to conform to BS4305-1 & BS4305-5
Dimensions for fitting:	Height: 385mm Width: 800mm Length: 1800mm
Internal Dimensions:	Length: 1610mm Width: 630mm
Overflow to waste:	280mm
Water Capacity:	225ltr



Additional Information

- Bath panels are available separately
- Two taphole
- Solid Skin for additional reinforcement

Technical Advice: For further information please call 0844 701 8503 or email technical@heritagebathrooms.com.

Guarantee: Lifetime covering manufacturing faults.

1 year covering labour (providing the product is registered)

