

HERITAGE[®]

BATHROOMS

Somersby Tap Range Installation Instructions and User Guide

Models covered:

TSBC10	Wall Mounted Basin Mixer
TSBC11	Wall Mounted Bath Filler
TSBC12	Bath Spout

Please keep this booklet for future reference.

Installer: when you have read these instructions please ensure you leave them with the user.

Contents

When you buy a Heritage product, you can be confident that it not only features a beautiful, distinctive, classic design, but that it has also been made to the very highest quality standards. To ensure that it works to its full potential, it needs to be fitted correctly.

These fitting instructions have been created to give you all of the information you need and, if you need any further help, please do not hesitate to give us a call on **0844 701 8503**.

Important Safety Information	02
General Specifications	02
Dimensions	03-05
Installation	06-08
Maintenance	09-10
Troubleshooting	11
Notes	12
Guarantee	13-14





Safety Note

- Please read these instructions & retain for future use. All products manufactured & supplied by Heritage are safe, provided they are installed correctly, used correctly, and receive regular maintenance in accordance with these instructions.
- **If you are in any doubt about your ability to install this product safely you must employ the services of an experienced, qualified plumber.**



Before starting any installation project please consider the following:

- Prior to drilling into walls, check there are no hidden electrical wires or cables or water supply pipes with the aid of an electrical detector.
- If you use power tools do not forget:
 - Wear eye protection.
 - Unplug equipment after use.
- This product must not be modified in any way as this will invalidate the guarantee.
- These fittings need to be installed in accordance with and meet the requirements of the Water Supply (Water Fittings) Regulations 1999 and Scottish Byelaws 2004.

General Specifications

Operating pressure range (bar)	Min	Max
3 Hole Basin Mixer	0.2	5.0
3 Hole Bath Filler	0.2	5.0
Bath Spout	0.2	5.0

Maximum static pressure – 10.0 bar

NOTE:- Nominally equal (balanced) inlet supply pressures are recommended for optimum Performance of mixer taps.

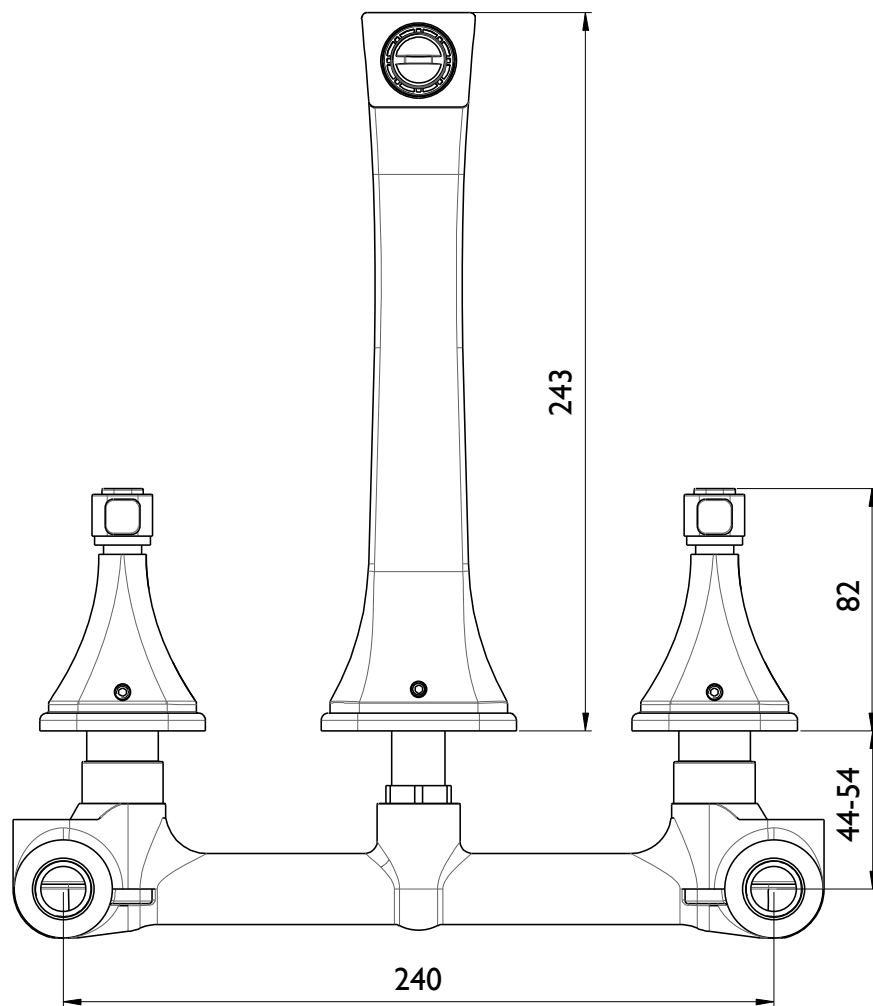
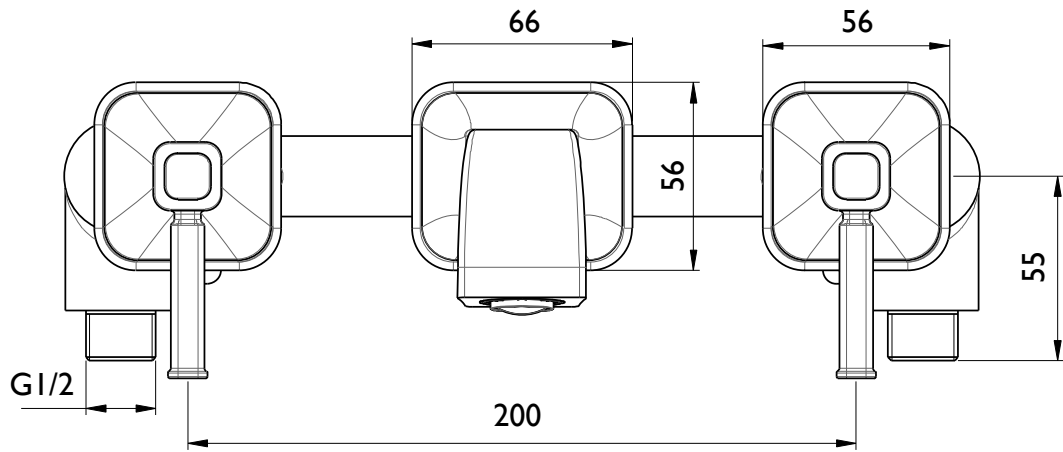
Designed to comply with BS EN 200 for single taps / combination taps for water systems of type I and 2 general technical specifications; and to be used within systems designed to BS 6700.

BS 6700 recommends the temperature of stored water should never exceed 65°C. A stored water temperature of 60°C is considered sufficient to meet all nominal requirements and will minimise the build up of lime scale in hard water areas.



Dimensions

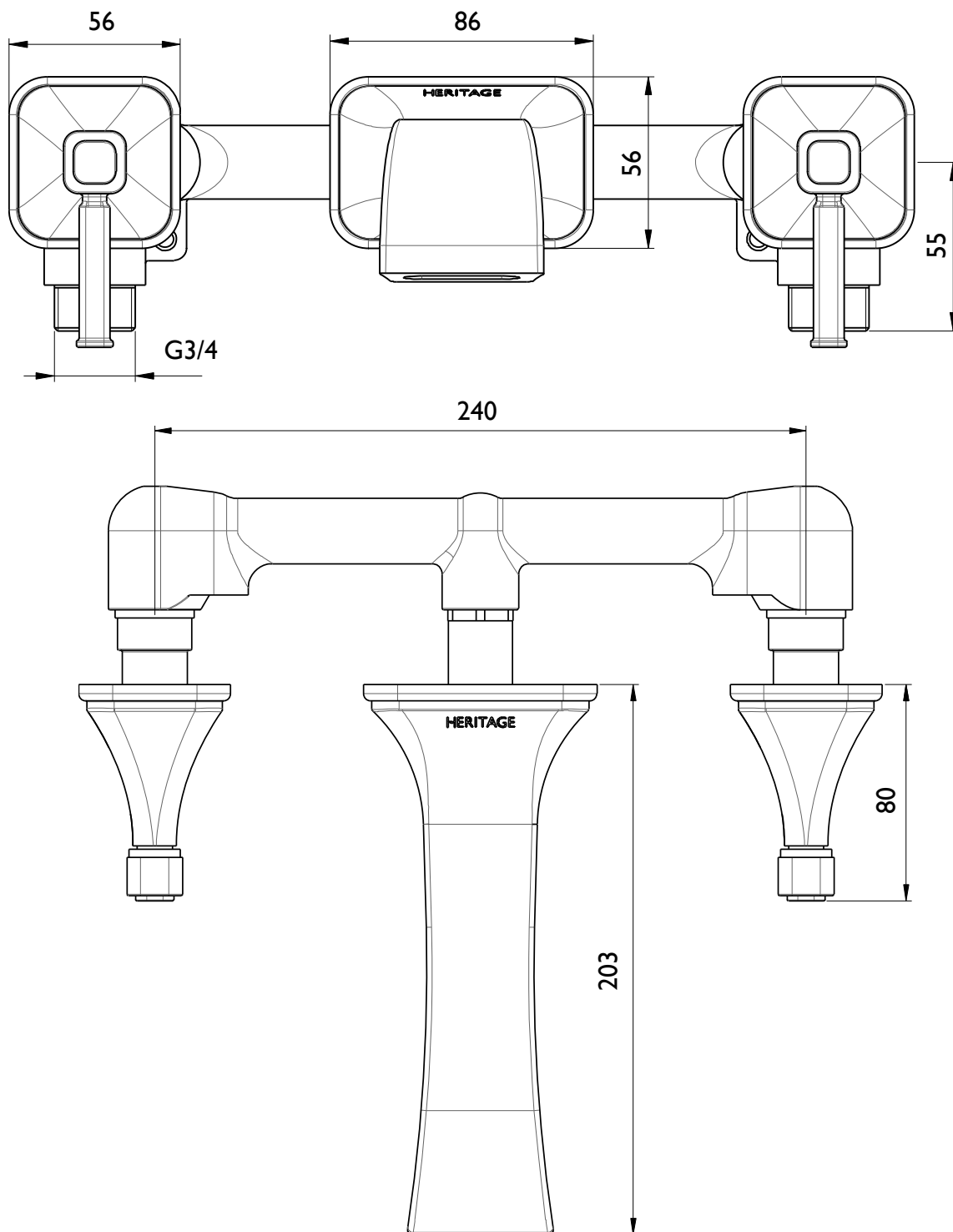
Wall Mounted Basin Mixer – TSBC10





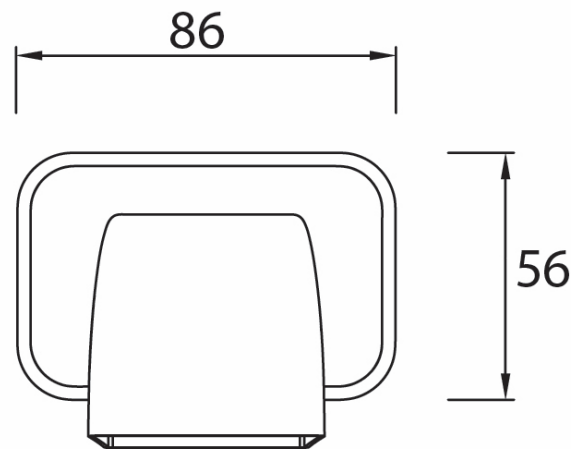
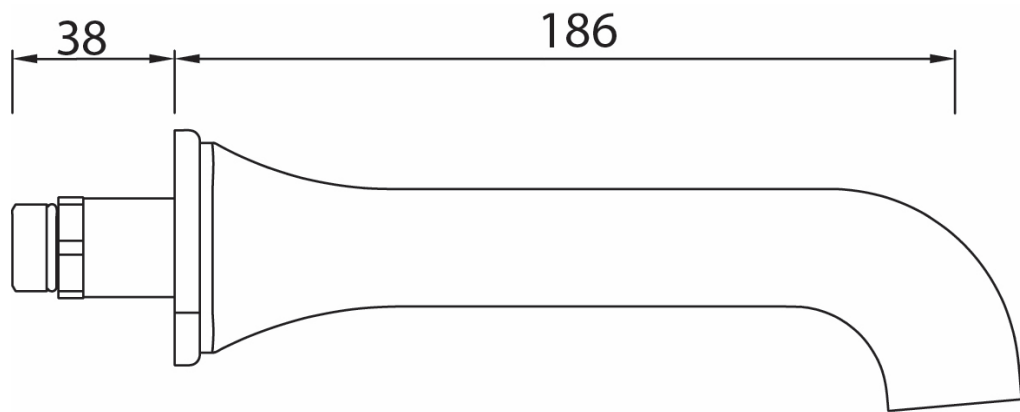
Dimensions Cont.

Wall Mounted Bath Filler – TSBC11



Dimensions Cont.

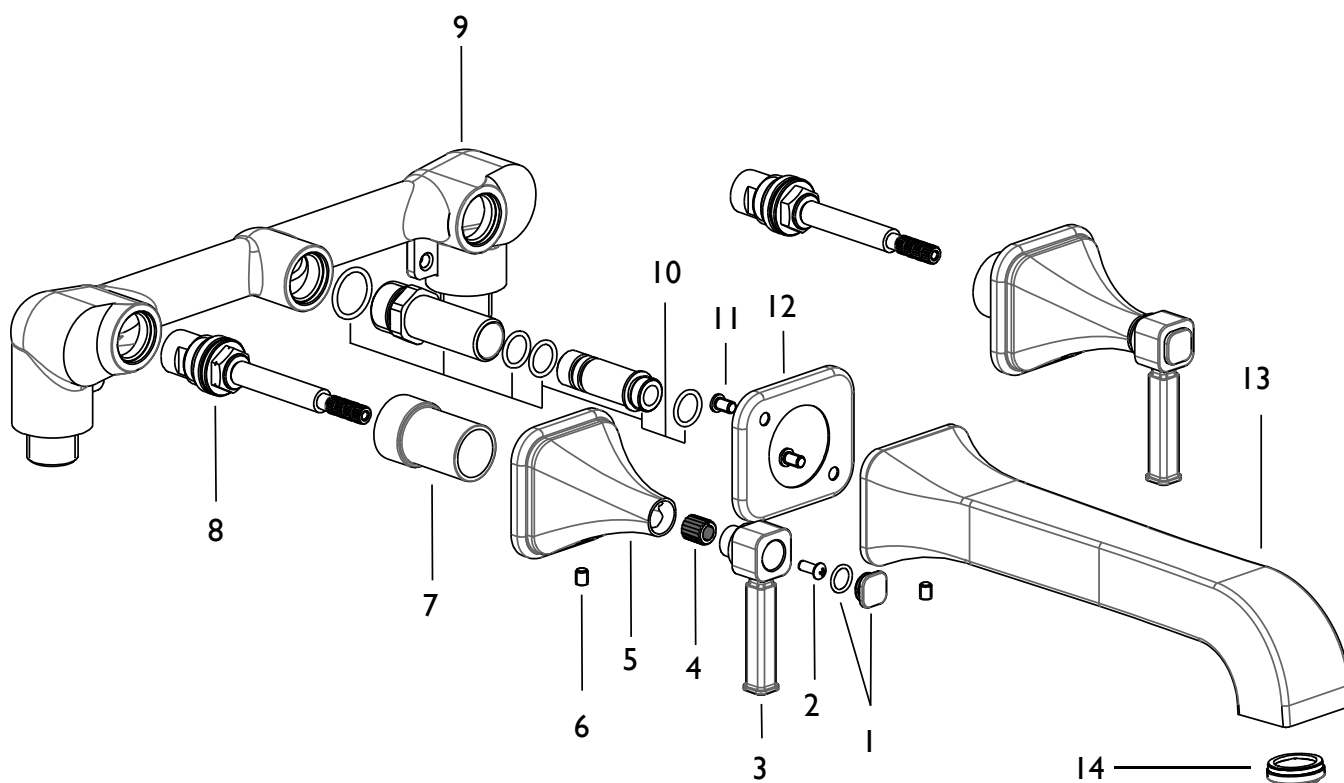
Bath Spout- TSBC12





Installation

Wall Mounted Basin Mixer / Bath Filler



1.	Indice	x2	8.	Valve	x2
2.	Handle Screw	x2	9.	Mixer Body	x1
3.	Lever Handle	x2	10.	Spout Connection	x1
4.	Spline Adapter	x2	11.	Locking Nut	x2
5.	Shroud	x2	12.	Plinth	x1
6.	Grub Screw	x2	13.	Spout	x1
7.	Shroud Connection	x2	14.	Anti-Splash	x1



Installation Cont.

1. Identify all components are present prior to starting installation.
2. Decide on the final position of the mixer body (9). And ensure that you adequate plumbing for the hot and cold supplies.

NOTE:- This product is designed to suit a maximum cavity depth of 26mm. A baton may be required to ensure the correct depth is achieved.

3. Connect the hot and cold supplies to the mixer body inlets; (hot on the left and cold on the right, (when viewed from the front), using the appropriate connections, (Not Supplied).
4. Secure the mixer body using the screws and wall plugs supplied. Before finishing the wall, turn on water supplies to flush the system and check for any leaking connections.
5. Set fitting into wall and complete wall surface. It is important that the spout (13) is not damaged and that sufficient thread is available from the spout connection (10) and shroud connections (7) to fit the surfaced components.
6. Fit the plinth (12) into place and attach the spout, ensuring that it locks into place via the locking pins (11) and the pin holes on the plinth.
7. Connect both hot and cold handles and once again check all connections for any leaks.

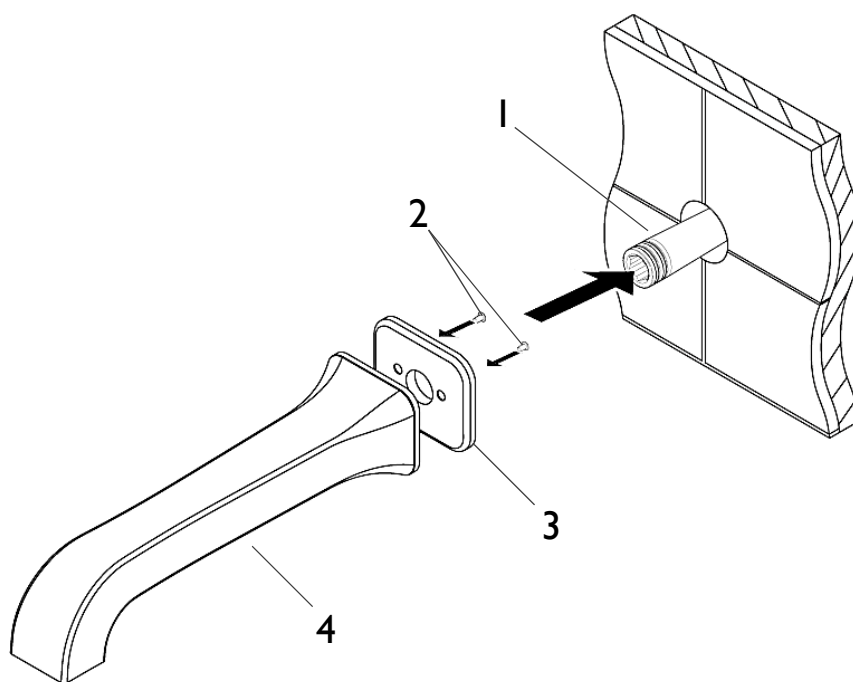




Installation Cont.

Bath Spout

1. Terminate sufficient pipework inside the wall cavity to a 1/2" BSP female fitting ensuring pipework is fixed in position and rigid so that it is unable to move.
2. Screw the spout connecting tube (1) into the female fitting (using a suitable thread sealant) ensuring the spout connecting tube is fully tightened.
3. Finish the wall surface and tile up to the spout connecting tube.
4. Attach the spout (4) to the concealing plinth (3) using the screws supplied (2).
5. Push the spout (4) onto the spout connecting tube (1) ensuring the O-rings on the spout connecting tube (1) have located inside the spout (4). Tighten the grub screw to secure the spout in place.
6. Turn on both water supplies letting the water flow for a few minutes.
7. Check all joints and connections for any leaks.



Maintenance

General Cleaning

Your fitting has a high quality finish and should be treated with care to preserve the visible surfaces. All finishes will wear if not cleaned correctly. The only safe way to clean your product is to wipe with a soft damp cloth. Stains can be removed using washing up liquid. All bathroom cleaning products (powders and liquids) will damage the surface of your fitting, even the non-scratch cleaners.

Note: Never use abrasive detergents or disinfectants or those containing alcohol, hydrochloric acid or phosphoric acid.





Maintenance cont.

Cleaning the Valves Within The Side Bodies

We advise that your fitting is regularly serviced in hard water areas to maintain optimum performance. If your fitting begins to leak the following should be carried out;

Isolate both hot and cold water supplies to the tap by either:

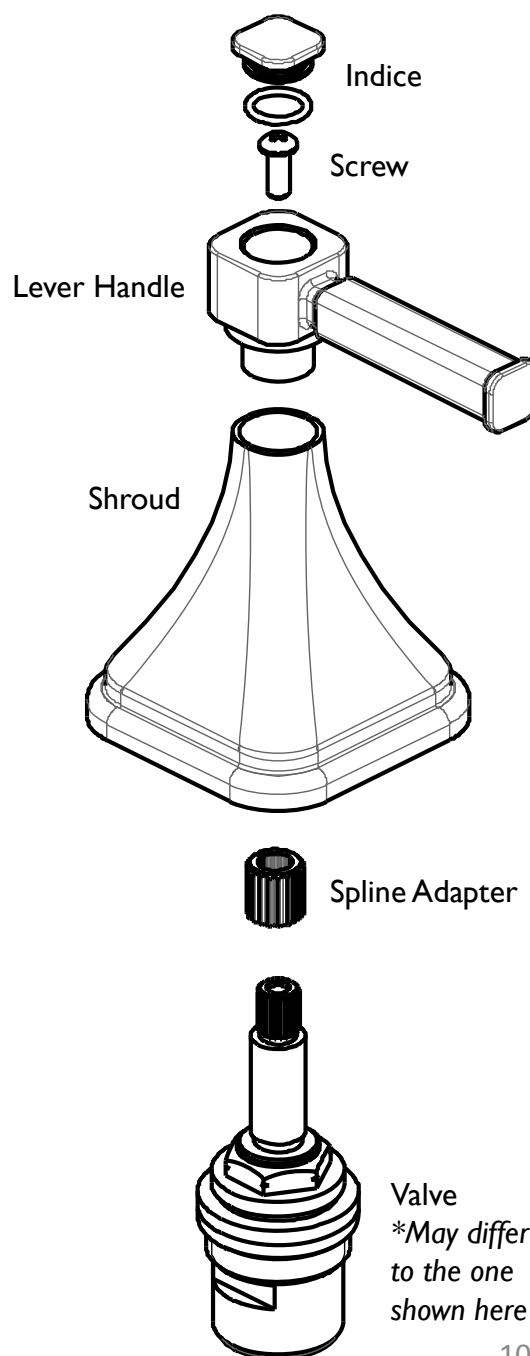
- Turning the water supply off at the mains stopcock or

- turning off the isolation valves to the tap.

1. Remove the indice on the top of the handle to reveal the concealed grub screw.
2. Unscrew the grub screw and pull the handle upwards from the valve spindle.
3. Remove the shroud by using a hexagonal key on the concealed grub screw at the rear base of the shroud and unscrew the shroud itself to gain access to the valve
4. Use a suitable spanner to remove the valve and clean the seating inside the tap body, as well as the valve itself.
5. If necessary replace the valve.

Please visit www.heritagebathrooms.com in order to find spare parts for this product.

6. Replace the valve into the tap body and tighten fully using a suitable spanner.
7. Replace handle assembly.
8. Turn on water supply and check for leaks.
9. Contact our helpline should if problem persists.



Valve
**May differ to the one shown here*



Troubleshooting

Symptom	Cause	Remedy
No flow or poor flow rate.	Partially closed stop or service valve in water supply pipework to the tap.	Open stop or service valve.
	Head of water is below the minimum distance required.	Refer to the Specification section for minimum pressures required.
	Possible airlock / blockage in supply pipework	Remove water supplies from the fitting and flush the system to remove any airlocks / debris.
	Cartridge / Valve not opening fully.	Service fitting. Refer to maintenance section on page 09-10.
Water dripping for a few seconds after the tap has been turned off.	This is caused by 'capillary action' and residual water in the spout being siphoned out. This should only last for a couple of seconds.	
Constant dripping / leaking when the tap is not in use.	Cartridge / Valve not fully shutting off.	Service fitting and replace cartridge / valve. Refer to maintenance section on page 09-10.
Fitting does not turn on.	Water supplies not turned on.	Check that the water supplies to the fitting are turned on.
	Closed stop or service valve.	Open stop or service valve.
Water does not come out of the showerhead when using the bath shower mixer.	Diverter mechanism not fully open.	Open the diverter mechanism fully by turning the diverter lever handle.
	Insufficient water pressure / header height.	Refer to the specification section for minimum pressures required.





Notes

Please use this space to add any notes you or your installer may have regarding the plumbing system / installation of this product.



Heritage Bathrooms Guarantee

When you buy a Heritage product, you can be confident that it not only features distinctive design, but that it has also been made to meet our rigorous quality standards.

We offer robust guarantees and an attentive aftercare service to ensure that if you do experience any issues, we can deal with a problem quickly, and effectively.

Please note that guarantees are only valid with proof of purchase.

Our guarantees are as follows:



2 Years on
Mirrors &
WC Seats



5 Years on
Bath Screens,
Furniture,
Shower Valves,
Taps, Wastes
& Accessories



Lifetime Guarantee
on Acrylic &
Cast Iron Baths
And Sanitaryware

Register now for additional peace of mind

Register your product with us now and, if you do have any queries after installation, we'll be able to quickly identify the product and give you the best advice. It also means that you won't have to keep your proof of purchase to validate your guarantee. To register, simply go online at www.heritagebathrooms.com/register

Guarantee Terms and Conditions

This guarantee is in addition to your statutory and other legal rights and is subject to the following conditions:

- The product was purchased within the United Kingdom or Republic of Ireland
- The product is used in domestic applications only
- The guarantee applies solely to the original purchaser with proof of purchase
- The installation must allow ready access to all products for the purpose of inspection, maintenance or replacement
- Repair under this guarantee does not extend the original expiry date. The guarantee on any replacement parts or product ends at the original expiry date

Any part found to be defective during the guarantee period will be replaced without charge, providing that the product has been installed in accordance with the instructions given in this guide and used as the manufacturer intended. If the product is no longer available, Heritage will endeavour to provide the nearest equivalent.





Heritage Bathrooms Guarantee Cont.

The guarantee does not cover:

- Damage or defects caused by
 - General wear and tear (including special non-chrome finishes; components such as filters, seals, 'O' rings and washers)
 - Incorrect installation
 - Repair using non-Heritage parts
 - Accidental or wilful misuse
 - Corrosion and the use of inappropriate cleaning products.
 - System debris including the build-up of limescale (which can be controlled through regular servicing and maintenance)
- Compensation for loss of use of the product or consequential loss of any kind.

In the interests of continuous product improvement, Heritage reserves the right to alter product specifications without notice.

Need help?

In the unlikely event that you encounter a problem with your Heritage product, you must, in the first instance, contact the retailer you purchased it from. They will advise as to whether it is due to a manufacturing fault or an installation fault. If the problem is due to a manufacturing fault, they will contact us to arrange a supply of a replacement product as soon as possible. To speak to a Heritage customer service advisor, please contact our technical helpline on **0844 701 8503**.





Heritage Bathrooms
Birch Coppice Business Park
Dordon
Tamworth
B78 1SG

Website: www.heritagebathrooms.com

Telephone: 0844 701 8503

Email: technical@heritagebathrooms.com

HFI (SOMERSBY – WALL MNT) REV. D1

