

# HERITAGE

## BATHROOMS

### *Installation Guide*



**Models covered:**

CKHPW00/CKVEW00

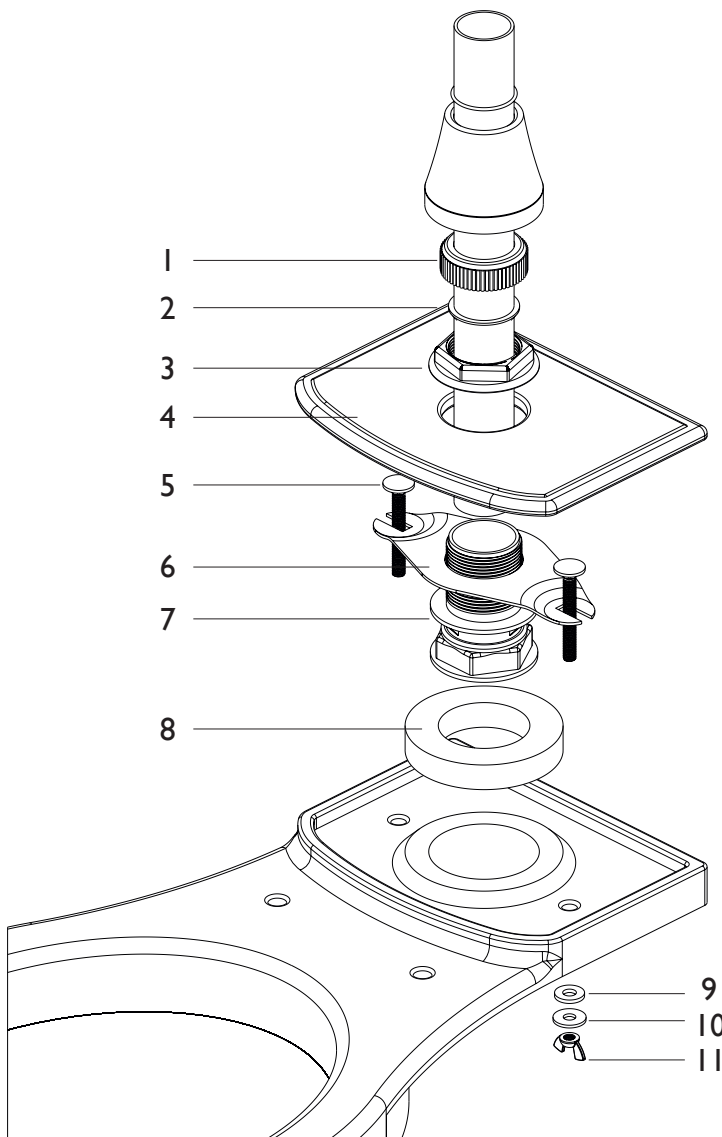
Ceramic Coupling Kit for Close Coupled WC

Please keep this booklet for future Reference.

Installer: when you have read these instructions please ensure you leave them with the user.



# Contents



No.	Description	Qty
1	Compression Nut	1
2	Taper Washer	1
3	Back Nut	1
4	Ceramic Plate	1
5	Bolts	2
6	Steel Yoke	1
7	Threaded Sleeve	1
8	Doughnut Washer	1
9	Rubber Washer	2
10	Steel Washer	2
11	Wing Nut	2

---

## *Caring for your product*

---

### Aftercare Instructions

Your fitting has a high quality finish and should be treated with care to preserve the visible surface.

All surface finishes will wear if not cleaned correctly.

The only safe way to clean your product is to wipe with a soft damp cloth. Any stains can be removed using washing up liquid.

**DO NOT** use cleaning powders or liquids:

Even non-scratch cleaners, can damage the surface of your fitting.

---

## *Installation & Guarantee*

---

To install this product, please refer to the Close Coupled WC fitting instructions booklet which accompanies your toilet pan.

All products are manufactured to the highest standard and a 5-year guarantee covers any defects in manufacture. Full guarantee details can be found in the Close Coupled WC fitting instructions booklet.



# HERITAGE<sup>®</sup>

## BATHROOMS

---

### *Contact Details*



---

Heritage Bathrooms  
Birch Coppice Business Park  
Dordon  
Tamworth  
B78 1SG

Website: [www.heritagebathrooms.com](http://www.heritagebathrooms.com)  
Customer Services Telephone: 0330 026 8503  
Email: [technical@heritagebathrooms.com](mailto:technical@heritagebathrooms.com)

CKHPW00/CKVEW00 - D3

---