



Features:

- Chrome plated BS EN 248
- Includes pop-up waste
- Available in Chrome, Vintage Gold and Rose Gold
- Compatible with low pressure water systems, optimised for UK market
- Quarter turn ceramic discs - for smooth operation and added durability

Product Certifications:



Additional Information:

Other products in the Dawlish range include:

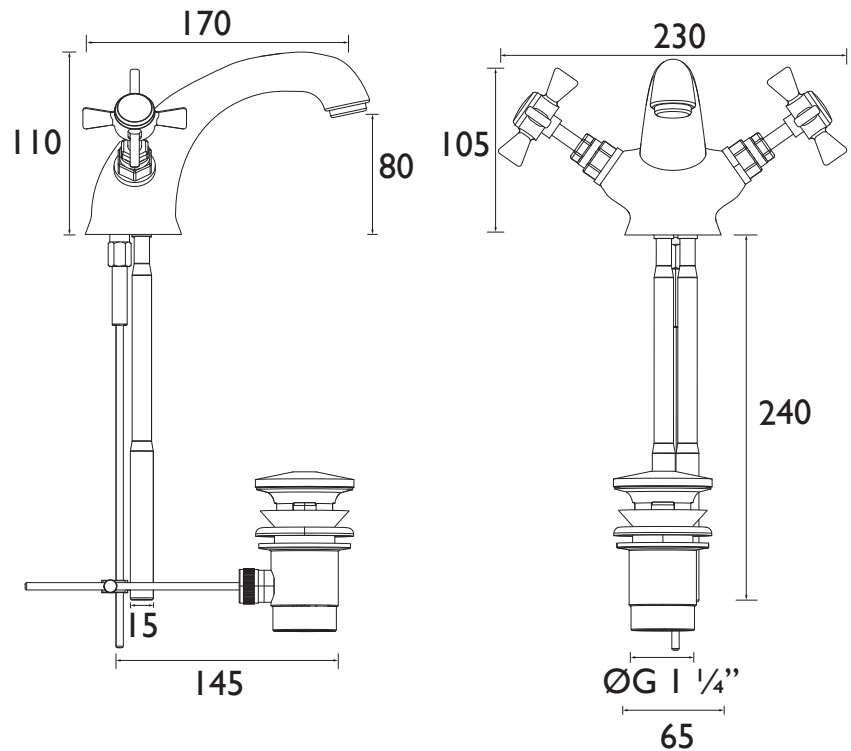
- Basin Taps
- Bath Filler
- Bath Shower Mixer
- Bidet Mixer
- Exposed and Recessed Showers

Available in Chrome, Vintage Gold and Rose Gold

Specification

Product Type:	Bathroom Taps
Main Construction Material:	Brass
Mount Type:	Deck Mounted
Handle Type:	Crosshead
Connection Inlet:	15mm Copper Connecting Pipes
Connection Outlet:	Open
Number of Tap Holes:	1
Valve/Cartridge Type:	Quarter Turn Ceramic Disc
Plumbing System Requirements:	All - Ideally Balanced
Working Pressure Range:	Min 0.1 Bar, Max 5.0 Bar
Maximum Hot Water Temperature: °C	65
Maximum Static Pressure: (bar)	10
Flow Type:	Single
Isolation Included:	No

Dimensions (measurements in mm)



Flow Rates (l/min)

System Pressure (bar)	0.1	0.2	0.5	1	2	3	5
TDCC04	6.2	8.35	13.5	19.2	27.15	32	42.9