



Specification	
Product Type:	Bathroom Taps
Main Construction Material:	Brass
Mount Type:	Deck Mounted
Handle Type:	Crosshead Handle
Connection Inlet:	G 3/4" BSP
Connection Outlet:	Open
Number of Tap Holes:	2
Valve/Cartridge Type:	Standard Compression Valve
Plumbing System Requirements:	All - Ideally Balanced
Working Pressure Range:	Min. 0.2 Bar, Max. 5.0 Bar
Maximum Hot Water Temperature: °C	65
Maximum Static Pressure: (bar)	10
Flow Type:	Single Flow
Isolation Included:	No

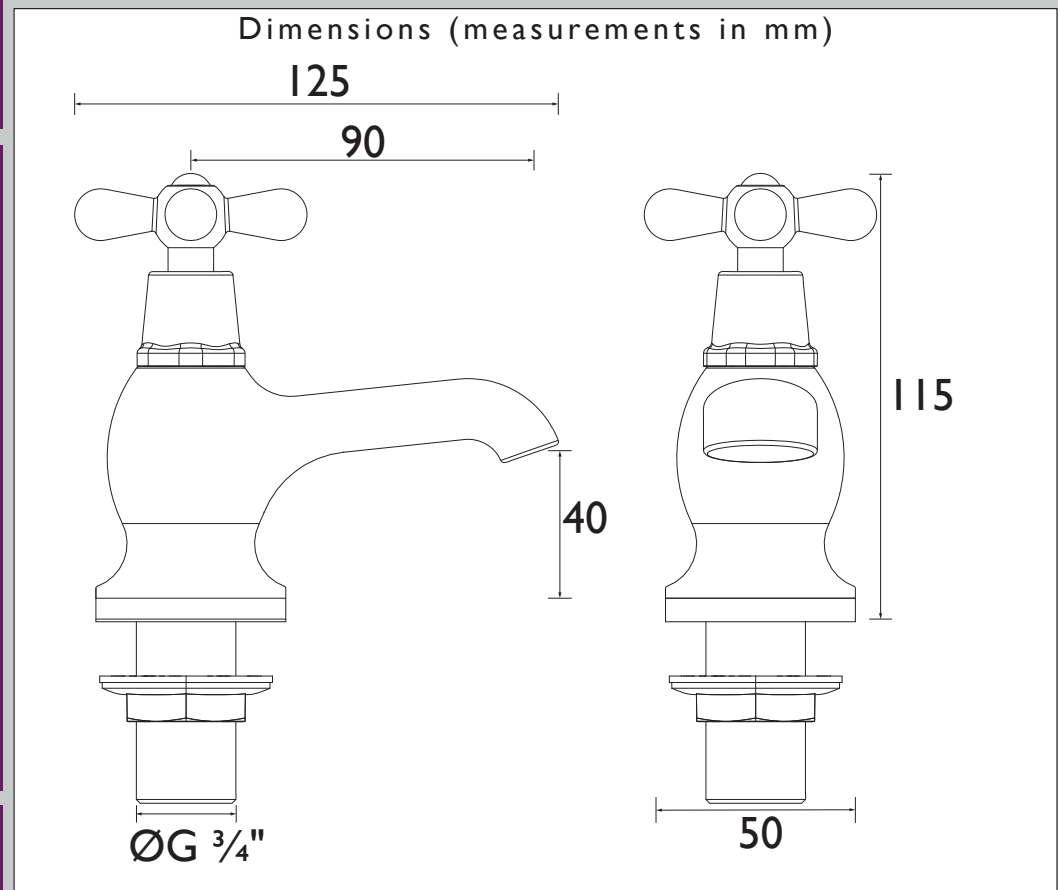
Features:

- Available in chrome and vintage gold
- Compatible with low pressure water systems, optimised for UK market

Product Certifications:



Additional Information:



Flow Rates (l/min)						
System Pressure (bar)	0.2	0.5	1	2	3	5
TRHG01	25.9	40.95	57.91	81.90	100.31	129.5