



Features:

- includes pop up waste

Product Certifications:

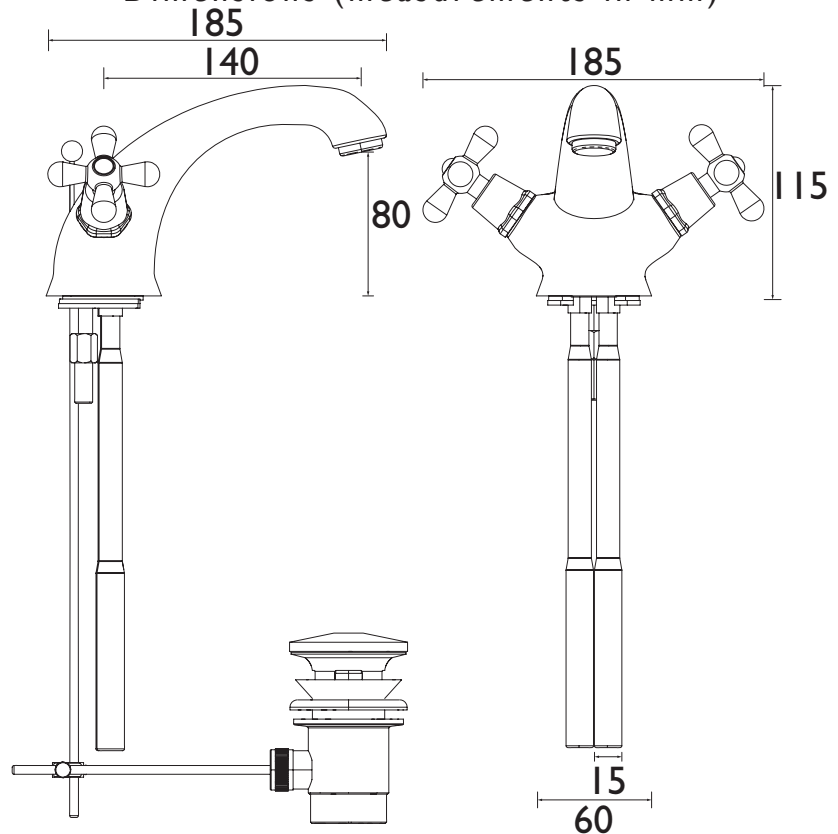


Additional Information:

Specification

Product Type:	Bathroom Taps
Main Construction Material:	Brass
Mount Type:	Deck Mounted
Handle Type:	Crosshead Handles
Connection Inlet:	M12 Tail Pipes
Connection Outlet:	Open
Number of Tap Holes:	1
Valve/Cartridge Type:	Standard Compression Valve
Plumbing System Requirements:	All - Ideally Balanced
Working Pressure Range:	Min 0.2 Bar, Max 8.0 Bar
Maximum Hot Water Temperature: °C	65
Maximum Static Pressure: (bar)	10
Flow Type:	Single Flow
Isolation Included:	No

Dimensions (measurements in mm)



Flow Rates (l/min)

System Pressure (bar)	0.2	0.5	1	2	3	5
TRHG04	20.66	32.66	46.19	65.32	80	103.28