



Features:

- Compatible with low pressure water systems, optimised for UK market
- Quarter turn ceramic discs - for smooth operation and added durability
- Available in a selection of finishes

Product Certifications:

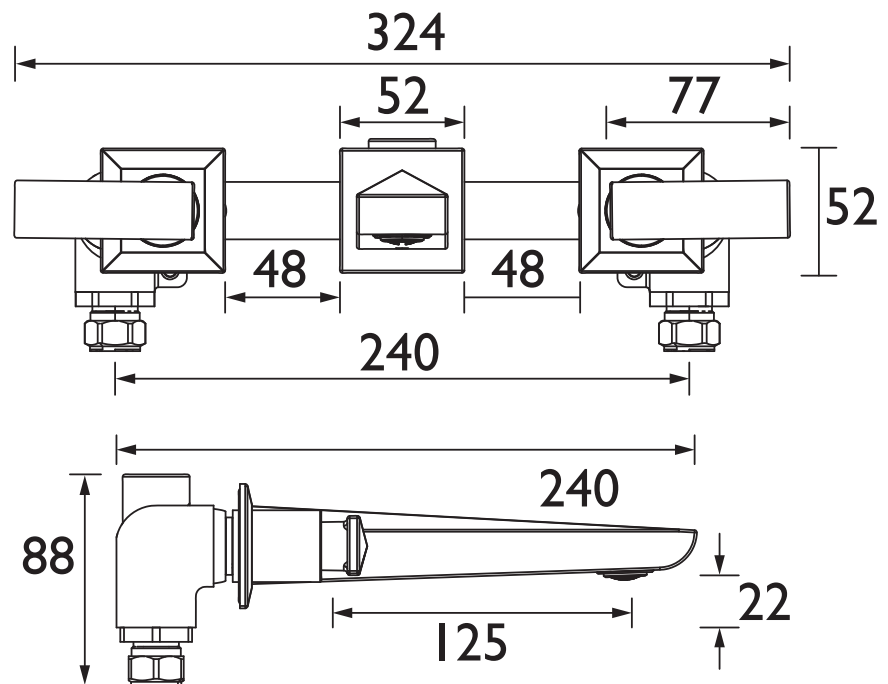


Additional Information:

Specification

Product Type:	Basin filler
Main Construction Material:	Brass
Mount Type:	Wall
Handle Type:	Lever
Connection Inlet:	15mm compression
Connection Outlet:	Open
Number of Tap Holes:	3
Valve/Cartridge Type:	Manual
Plumbing System Requirements:	Suitable for all plumbing systems
Minimum Dynamic Pressure (bar):	0.2 bar
Maximum Dynamic Pressure (bar):	5 bar
Maximum Hot Water Temperature °C:	60°C
Maximum Static Pressure (bar):	10 bar
Flow Type:	Single
Isolation Included:	No

Dimensions (measurements in mm)



Flow Rates (l/min)

System Pressure (bar)	0.2	0.5	1	2	3	5
THPC10 (mixed)	9.4	14.9	21	29.7	36.4	47