



## Specification

<b>Product Type:</b>	Traditional
<b>Main Construction Material:</b>	Brass
<b>Mount Type:</b>	Deck Mounted
<b>Handle Type:</b>	Crosshead Handles
<b>Connection Inlet:</b>	G 3/4" BSP
<b>Connection Outlet:</b>	Open
<b>Number of Tap Holes:</b>	2
<b>Valve/Cartridge Type:</b>	1/4 Turn 3/4" Ceramic Disc Valve
<b>Plumbing System Requirements:</b>	Suitable for all plumbing systems
<b>Minimum Dynamic Pressure (bar):</b>	0.2 bar
<b>Maximum Dynamic Pressure (bar):</b>	5.0 bar
<b>Maximum Hot Water Temperature °C:</b>	60°C
<b>Maximum Static Pressure (bar):</b>	10 bar
<b>Flow Type:</b>	Single Flow
<b>Isolation Included:</b>	No

### Features:

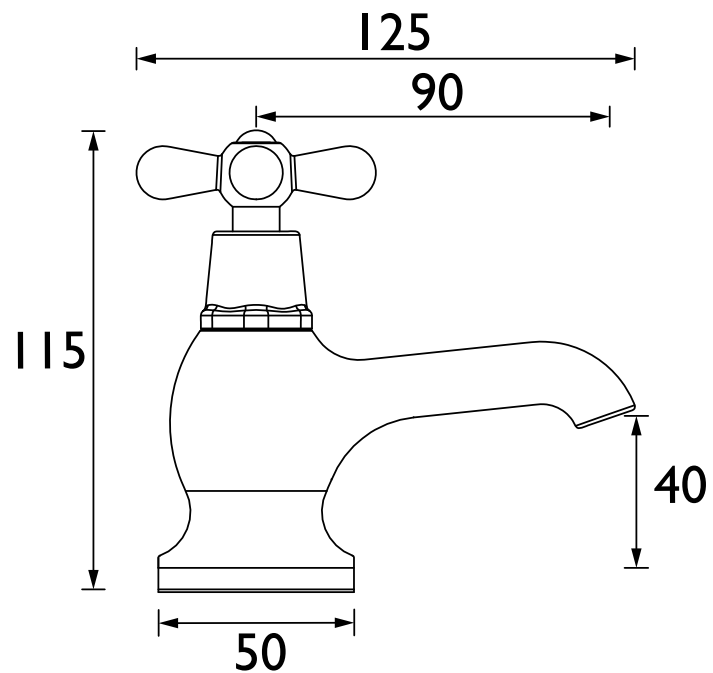
- Compatible with low pressure water systems, optimised for UK market
- Available in chrome and vintage gold
- Available in a selection of finishes

### Product Certifications:



### Additional Information:

## Dimensions (measurements in mm)



## Flow Rates (l/min)

System Pressure (bar)	0.2	0.5	1	2	3	5
TRHC01 (Cold)	21.56	34.22	47.50	67	82.2	106
TRHC01 (Hot)	21.6	34.02	47.58	67.2	82.4	106.3