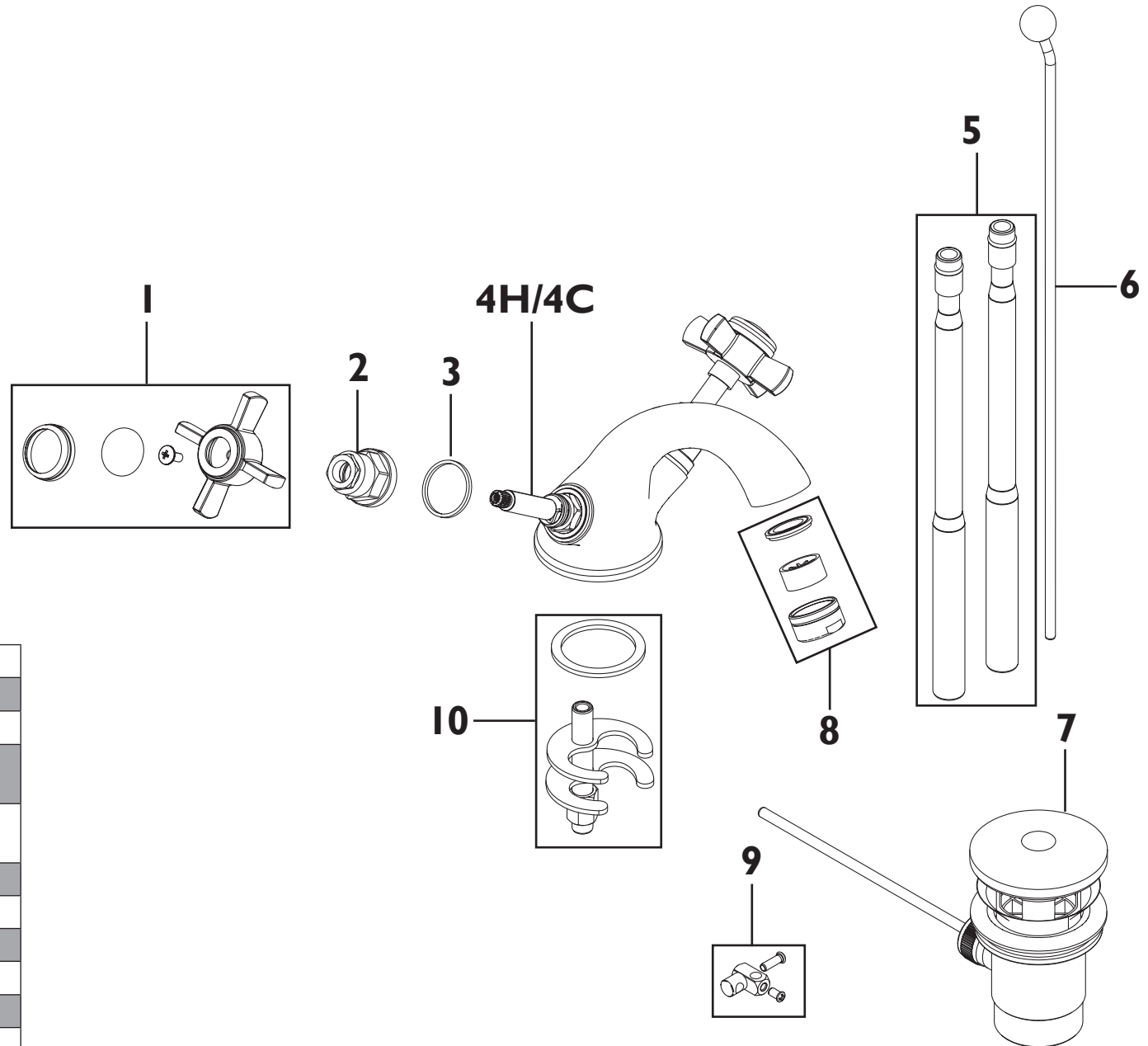


Product Code: TDC_04

Revision: D3



1	Handle Assembly (Pair)
2	Shroud
3	Washer
4H	1/2" Plated Hot Ceramic Disc Valve
4C	1/2" Plated Cold Ceramic Disc Valve
5	15mm Copper Tails (Pair)
6	Pop-Up Rod
7	Waste Assembly
8	M24 Flow Straightener
9	Pop-Up Link
10	Fixing Kit