



## Specification

<b>Product Type:</b>	Bidet mixer
<b>Main Construction Material:</b>	Brass
<b>Mount Type:</b>	Deck
<b>Handle Type:</b>	Cross Head
<b>Connection Inlet:</b>	M12 x 15mm copper tails
<b>Connection Outlet:</b>	Open
<b>Number of Tap Holes:</b>	1
<b>Valve/Cartridge Type:</b>	Manual
<b>Plumbing System Requirements:</b>	Suitable for all plumbing systems
<b>Minimum Dynamic Pressure (bar):</b>	0.2 bar
<b>Maximum Dynamic Pressure (bar):</b>	5 bar
<b>Maximum Hot Water Temperature °C:</b>	60°C
<b>Maximum Static Pressure (bar):</b>	10 bar
<b>Flow Type:</b>	Single
<b>Isolation Included:</b>	N0

## Features:

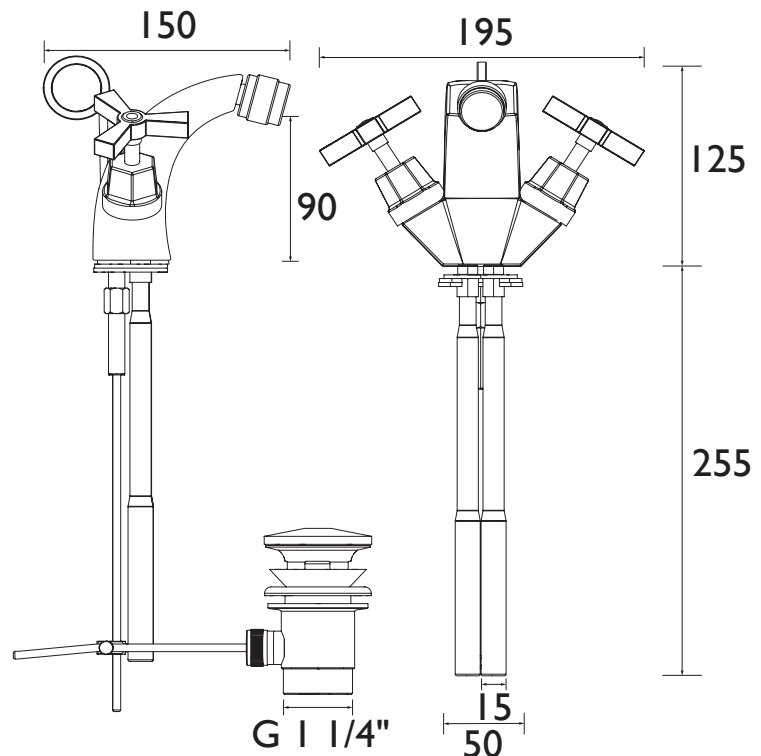
- Compatible with low pressure water systems, optimised for UK market
- Quarter turn ceramic discs - for smooth operation and added durability
- Includes pop up waste
- Available in a selection of finishes

## Product Certifications:



## Additional Information:

## Dimensions (measurements in mm)



## Flow Rates (l/min)

System Pressure (bar)	0.2	0.5	1	2	3	5
TGRDC05 (mixed)	11.7	18.5	26.2	37	45.3	58.5