



Specification

Product Type:	Bidet mixer
Main Construction Material:	Brass
Mount Type:	Deck
Handle Type:	Lever
Connection Inlet:	M12 x 15mm tail pipes
Connection Outlet:	Open
Number of Tap Holes:	1
Valve/Cartridge Type:	Manual
Plumbing System Requirements:	Suitable for all plumbing systems
Minimum Dynamic Pressure (bar):	0.2 bar
Maximum Dynamic Pressure (bar):	5 bar
Maximum Hot Water Temperature °C:	60°C
Maximum Static Pressure (bar):	10 bar
Flow Type:	Single
Isolation Included:	No

Features:

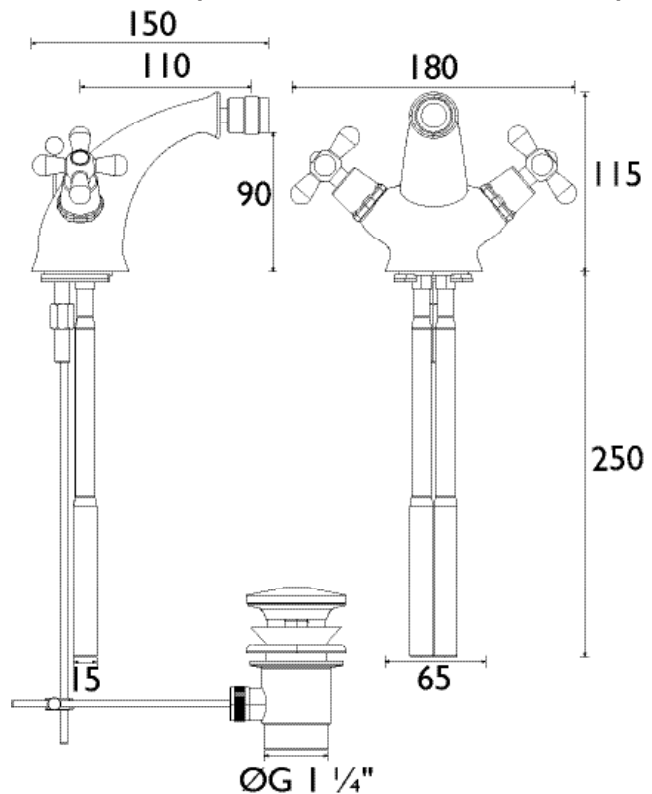
- Compatible with low pressure water systems, optimised for UK market
- Includes pop up waste
- Available in a selection of finishes

Product Certifications:



Additional Information:

Dimensions (measurements in mm)



Flow Rates (l/min)

System Pressure (bar)	0.2	0.5	1	2	3	5
TRHC05 (mixed)	13.5	21.3	30.1	42.6	52.2	67.4