



Specification

Product Type:	Taps
Main Construction Material:	Brass
Mount Type:	Deck
Handle Type:	Lever
Connection Inlet:	M10 X M15 Flexible Compression Tails
Connection Outlet:	M24 Aerator
Number of Tap Holes:	1
Valve/Cartridge Type:	25mm Flat Cartridge
Plumbing System Requirements:	Suitable for all plumbing systems
Minimum Dynamic Pressure (bar):	1 bar
Maximum Dynamic Pressure (bar):	5 bar
Maximum Hot Water Temperature °C:	60°C
Maximum Static Pressure (bar):	10 bar
Flow Type:	Single
Isolation Included:	No

Features:

- Compatible with low pressure water systems, optimised for UK market
- Quarter turn ceramic discs - for smooth operation and added durability
- Includes clicker waste
- Available in a selection of finishes

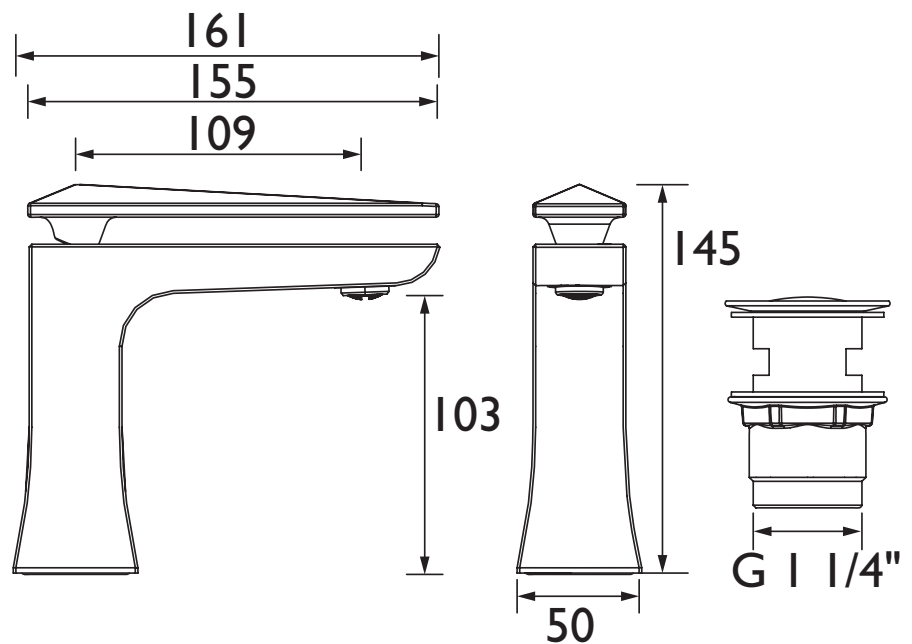
Product Certifications:



WRAS Certificate No: 1807902
WRAS Expiry Date: 31/07/2023



Dimensions (measurements in mm)



Flow Rates (l/min)

System Pressure (bar)	1	2	3	5
THPC04 (mixed)	7.2	10.2	12.5	16.1



*