



Features:

- Quarter turn ceramic discs - for smooth operation and added durability
- Metal backnuts for added durability
- Includes 1.75m hose and rub-clean anti-limescale handset
- Maximum working pressure of 5.0 Bar
- Compatible with low pressure water systems, optimised for UK market
- Available in a selection of finishes

Product Certifications:



Additional Information:

Other Products in the Hemsby range include:

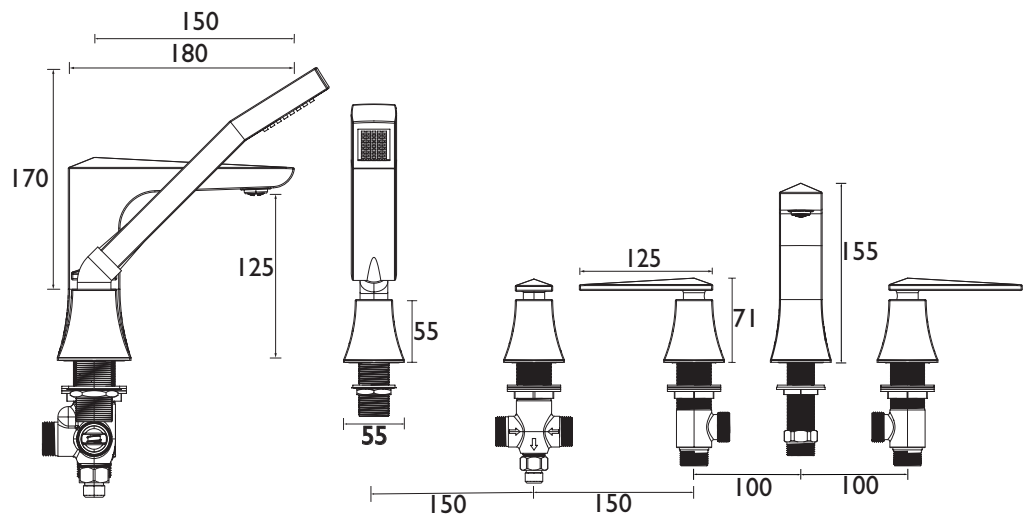
- Basin Taps
- Basin Mixer
- Bidet Mixer
- Bath Taps
- Bath Filler
- Bath Shower Mixer

Available in Chrome and Rose Gold

Specification

Product Type:	Bathroom Taps
Main Construction Material:	Brass
Mount Type:	Deck Mounted
Handle Type:	Lever Handles
Connection Inlet:	G 3/4" BSP
Connection Outlet:	M24 Coin-Slot Aerator
Number of Tap Holes:	5
Valve/Cartridge Type:	Quarter Turn Ceramic Disc
Plumbing System Requirements:	All - Ideally Balanced
Working Pressure Range:	Min. 1.5 Bar, Max 5.0 Bar
Maximum Hot Water Temperature: °C	65
Maximum Static Pressure: (bar)	10
Flow Type:	Single Flow
Isolation Included:	No

Dimensions (measurements in mm)



Flow Rates (l/min)

System Pressure (bar)	0.2	0.5	1	2	3	5
Through Bath Filler (Mixed)	12.3	19.2	26.9	38.4	45.9	60.15
Through Handset (Mixed)	3.9	6.2	8.8	12.4	17.6	19.6