



Features:

- Chrome plated to BS EN 248
- 5 year guarantee
- Includes pop up waste
- Lever Handles
- Compatible with low pressure water systems, optimised for UK market
- Quarter turn ceramic discs - for smooth operation and added durability
- Available in a selection of finishes

Product Certifications:



WRAS Cert. Number: 1807905
WRAS Expiry Date: 31/07/2023

Additional Information:

Other Products in the Glastonbury range include:

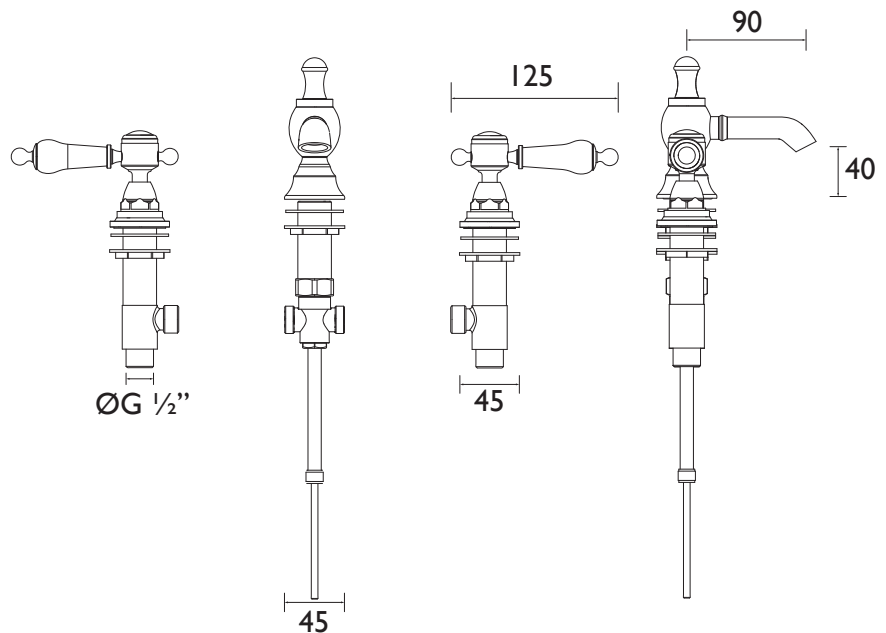
- Basin Taps
- Bidet Mixer
- Bath Filler
- Bath Taps
- Bath Shower Mixer

Available in Chrome, Vintage Gold with White Handle and Chrome with Midnight Blue Handle

Specification

Product Type:	Bathroom Tap
Main Construction Material:	Brass
Mount Type:	Deck Mounted
Handle Type:	Lever
Connection Inlet:	G 1/2" BSP
Connection Outlet:	Open
Number of Tap Holes:	3
Valve/Cartridge Type:	Quarter Turn Ceramic Disc
Plumbing System Requirements:	All - Ideally Balanced
Working Pressure Range:	Min. 0.2 Bar, Max. 5.0 Bar
Maximum Hot Water Temperature: °C	65
Maximum Static Pressure: (bar)	10
Flow Type:	Single Flow
Isolation Included:	No

Dimensions (measurements in mm)



Flow Rates (l/min)

System Pressure (bar)	0.2	0.5	1	2	3	5
TGRC06	11.6	18.41	26.04	36.82	45.1	58.22