



Features:

- Optimised for UK market, designed to work at pressure range of 0.2 - 5.0 bar
- Thermostatic temperature control and automatic stop prevent surges of hot or cold water
- Performance Flow to provide a drenching experience
- Smallest recessed valve on the market, will fit into a 35mm cavity space
- Hose outlet included
- Ceramic disc - for smooth operation and added durability

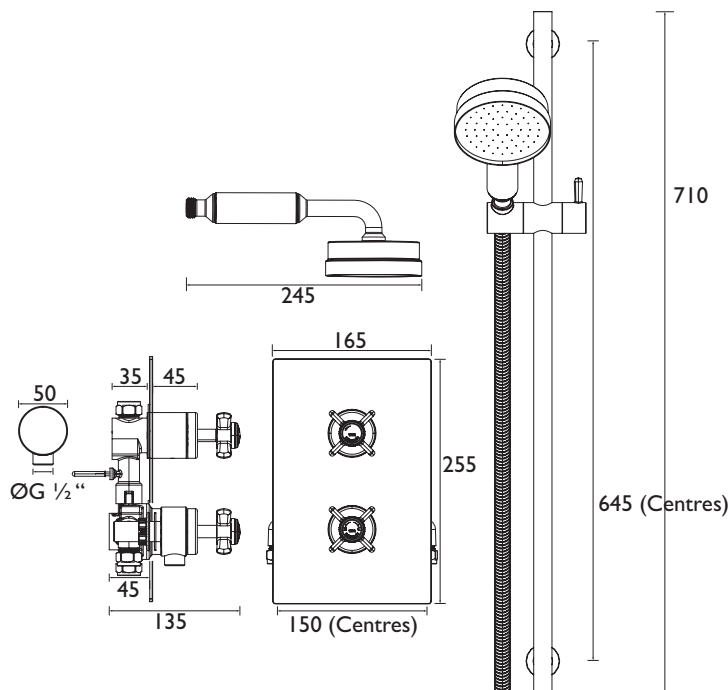
Product Certifications:



Additional Information:

| Specification | |
|--|------------------------------|
| Main Construction Material: | Brass |
| No of Controls: | 2 |
| Shower Type: | Recessed Thermostatic Shower |
| Shower Head Type: | Traditional Deluxe Handset |
| Handle Type: | Crosshead |
| Valve/Cartridge Type: | Thermostatic Cartridge |
| Maximum Hot Water Supply Temperature °C: | 65 |
| Maximum Static Pressure: (bar) | 10 |
| Plumbing System Suitability: | All - Ideally Balanced |
| Working Pressure Range: | Min. 0.2 Bar, Max 5.0 Bar |
| Connection Inlet: | 15mm Compression |
| Connection Outlet: | 15mm Compression & G 1/2" |
| Isolation Valve Included: | No |
| Check Valve Included: | Yes |

Dimensions (measurements in mm)



| Flow Rates (l/min) | | | | | | |
|-------------------------|-----|------|----|------|----|------|
| System Pressure (bar) | 0.2 | 0.5 | 1 | 2 | 3 | 5 |
| Through Handset (mixed) | 7.5 | 14.1 | 21 | 30.5 | 29 | 37.4 |
| | | | | | | |
| | | | | | | |