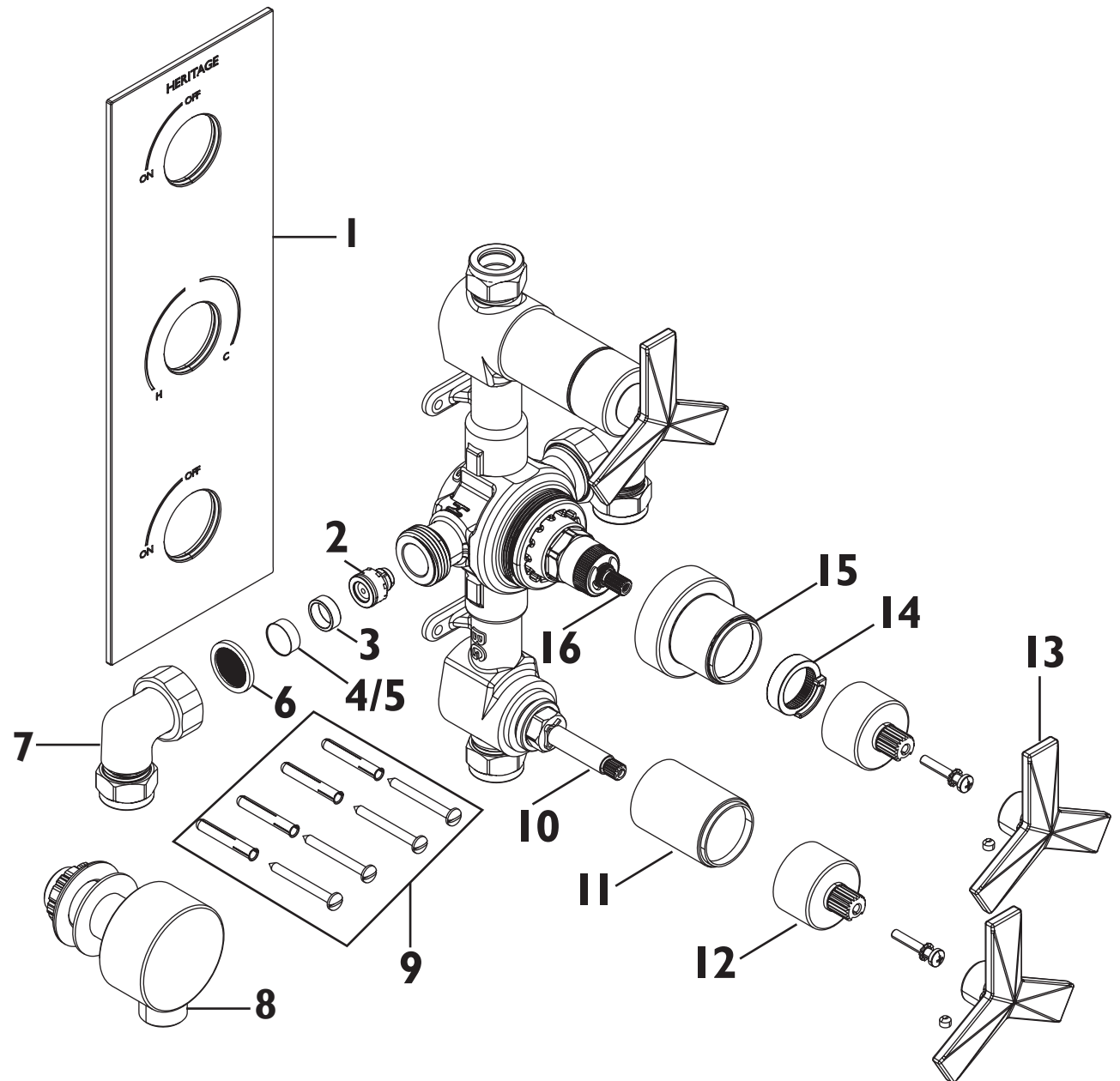


Product Code: SHPDUAL03

Revision: D2

1	Concealing Plate
2	1/2" Check Valve
3	Inserts
4	5lpm Flow Limiter
5	7lpm Flow Limiter
6	Filter
7	Elbow Assembly
8	Wall Outlet
9	Fixing Kit
10	3/4" Ceramic Disc Valve
11	Flow Shroud
12	Handle Adaptor
13	Handle Assembly
14	Temperature Stop
15	Temperature Shroud
16	Thermostatic Cartridge
17	Shower Arm
18	200mm Fixed Head
19	Riser Rail Kit
20	5ft Cone to Nut Hose
21	Handset



Product Code: SHPDUAL03

Revision: D2

1	Concealing Plate
2	1/2" Check Valve
3	Inserts
4	5lpm Flow Limiter
5	7lpm Flow Limiter
6	Filter
7	Elbow Assembly
8	Wall Outlet
9	Fixing Kit
10	3/4" Ceramic Disc Valve
11	Flow Shroud
12	Handle Adaptor
13	Handle Assembly
14	Temperature Stop
15	Temperature Shroud
16	Thermostatic Cartridge
17	Shower Arm
18	200mm Fixed Head
19	Riser Rail Kit
20	5ft Cone to Nut Hose
21	Handset

