



Specification

Product Type:	Taps
Main Construction Material:	Brass
Mount Type:	Deck
Handle Type:	Lever
Connection Inlet:	G 3/4" BSP
Connection Outlet:	Open
Number of Tap Holes:	1
Valve/Cartridge Type:	Manual
Plumbing System Requirements:	Suitable for all plumbing systems
Minimum Dynamic Pressure (bar):	1 bar
Maximum Dynamic Pressure (bar):	5 bar
Maximum Hot Water Temperature °C:	0°C
Maximum Static Pressure (bar):	10 bar
Flow Type:	Single
Isolation Included:	No

Features:

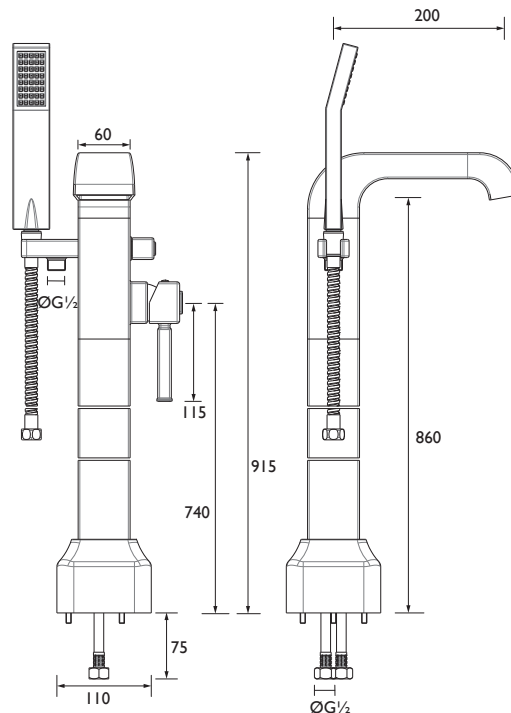
- Compatible with low pressure water systems, optimised for UK market
- Quarter turn ceramic discs - for smooth operation and added durability

Product Certifications:



Additional Information:

Dimensions (measurements in mm)



Flow Rates (l/min)

System Pressure (bar)	0.5	1	2	3	5
TSBC171 (mixed)	6.9	9.8	13.9	17	21.9