

HERITAGE[®]

BATHROOMS

Somersby Tap Range Installation Instructions and User Guide

Models covered:

TSBC171 Floor Mounted Bath Shower Mixer

Please keep this booklet for future reference.

Installer: when you have read these instructions please ensure you leave them with the user.

Contents

When you buy a Heritage product, you can be confident that it not only features a beautiful, distinctive, classic design, but that it has also been made to the very highest quality standards. To ensure that it works to its full potential, it needs to be fitted correctly.

These fitting instructions have been created to give you all of the information you need and, if you need any further help, please do not hesitate to give us a call on **0844 701 8503**.

Important Safety Information	02
General Specifications	02
Dimensions	03
Installation	04-05
Maintenance	05-06
Troubleshooting	07
Notes	08
Guarantee	09-10





Safety Note

- Please read these instructions & retain for future use. All products manufactured & supplied by Heritage are safe, provided they are installed correctly, used correctly, and receive regular maintenance in accordance with these instructions.
- **If you are in any doubt about your ability to install this product safely you must employ the services of an experienced, qualified plumber.**



Before starting any installation project please consider the following:

- Prior to drilling into walls, check there are no hidden electrical wires or cables or water supply pipes with the aid of an electrical detector.
- If you use power tools do not forget:
 - Wear eye protection.
 - Unplug equipment after use.
- This product must not be modified in any way as this will invalidate the guarantee.
- These fittings need to be installed in accordance with and meet the requirements of the Water Supply (Water Fittings) Regulations 1999 and Scottish Byelaws 2004.

General Specifications

Operating pressure range (bar)	Min	Max
Floor Mounted Bath Filler	1.0	5.0

Maximum static pressure – 10.0 bar

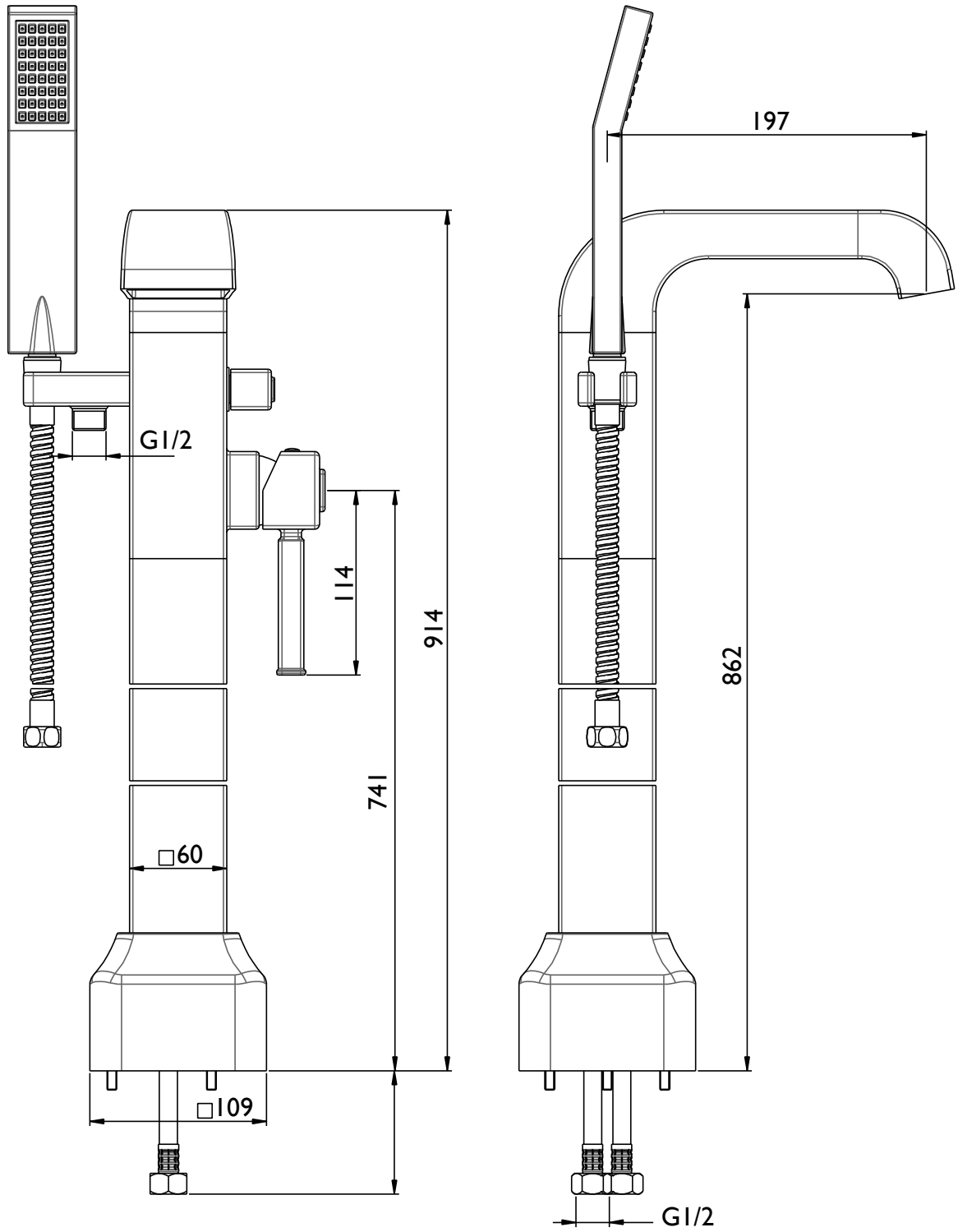
NOTE:- Nominally equal (balanced) inlet supply pressures are recommended for optimum Performance of mixer taps.

Designed to comply with BS EN 200 for single taps / combination taps for water systems of type 1 and 2 general technical specifications; and to be used within systems designed to BS 6700.

BS 6700 recommends the temperature of stored water should never exceed 65°C. A stored water temperature of 60°C is considered sufficient to meet all nominal requirements and will minimise the build up of lime scale in hard water areas.



Dimensions



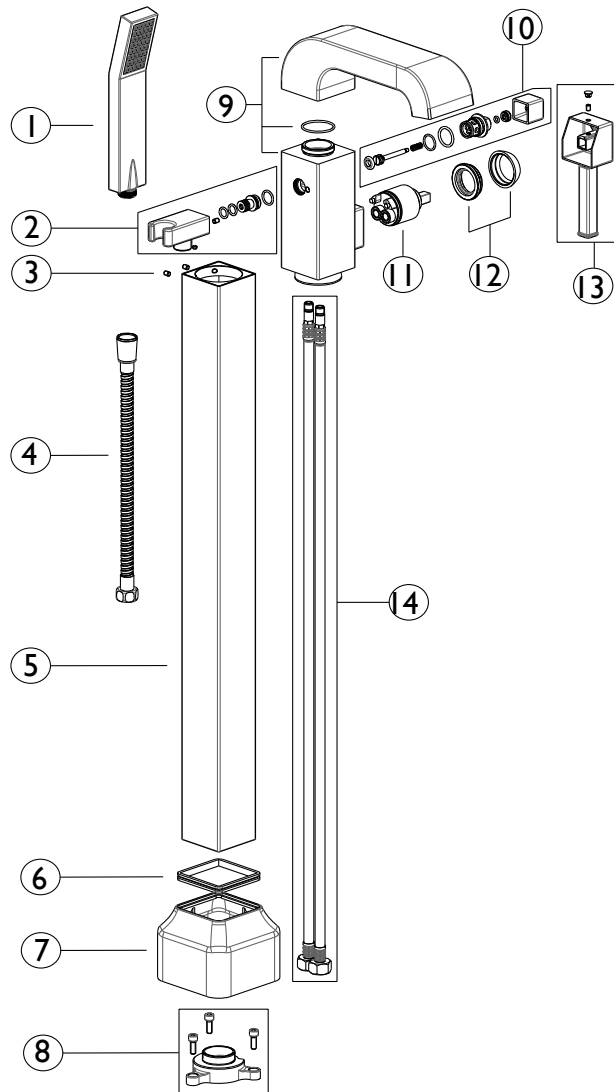
Floor Mounted Bath Filler – TSBC171





Installation

- | | | |
|-----|-------------------------|----|
| 1. | Handset | x1 |
| 2. | Handset Holder Assembly | x1 |
| 3. | Grub Screw | x2 |
| 4. | Hose (1.5m) | x1 |
| 5. | Extension Piece | x1 |
| 6. | Rubber Seal | x1 |
| 7. | Base | x1 |
| 8. | Floor Mount & Fixings | x1 |
| 9. | Mixer Body | x1 |
| 10. | Diverter | x1 |
| 11. | Cartridge | x1 |
| 12. | Retaining Nut & Shroud | x1 |
| 13. | Handle Assembly | x1 |
| 14. | Connecting Pipes | x2 |



1. Identify all components are present prior to starting installation.

NOTE: If the bath filler is to be fitted onto wooden floorboards, the boards must be reinforced with additional wooden batons due to the height and weight of the bath filler. If the floorboards are not reinforced this may result in the bath filler flexing slightly during operation.

2. Decide on the required position of the bath filler and mark out the fixing positions of the floor mount (7) on to the flooring also marking out the position for a 34mm hole in the middle of the floor mount.
3. Once the position has been marked, remove the floor mount and drill holes suitable for the fixings to be used and the central 34mm hole.
4. Secure floor mount to the floor using suitable fixings for the floor type.



Installation Cont

5. Ensure adequate space is left for connecting the flexible connecting pipes (14) to the water supplies. Remove enough flooring surrounding the mounting position/fixing base to allow access to the water supplies. Access to the flexible tails must be made available once the bath filler has been installed for maintenance purposes.

NOTE: We recommend that 15mm pipework is terminated 50mm away from the centre of the fixing base to allow the flexible connecting pipes to reach.

6. Screw the mixer body onto the extension piece, feeding the connecting pipes through in order to connect to the hot and cold supplies.

NOTE: The connecting pipes will have to be staggered to allow both of them to be fed through the mixer extension.

7. Connect the base (7) and ensure that the rubber seal (6) is in place.
8. Connect the connecting pipes to the hot and cold water supplies and tighten compression fittings.
9. Turn on water supplies. Operate handle and leave for a few minutes, letting the water flow through to check all joints and connections for leaks, before finishing any floor work.

Maintenance

General Cleaning

Your fitting has a high quality finish and should be treated with care to preserve the visible surfaces. All finishes will wear if not cleaned correctly. The only safe way to clean your product is to wipe with a soft damp cloth. Stains can be removed using washing up liquid. All bathroom cleaning products (powders and liquids) will damage the surface of your fitting, even the non-scratch cleaners.

Note: Never use abrasive detergents or disinfectants or those containing alcohol, hydrochloric acid or phosphoric acid.



Maintenance cont.

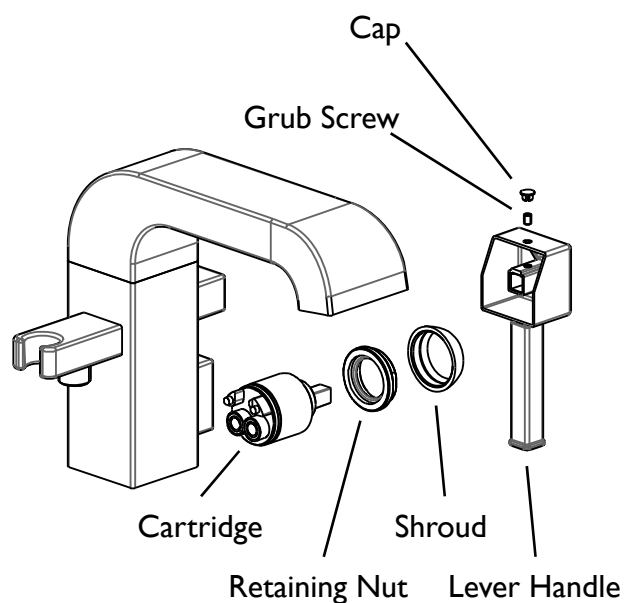
Cleaning the Cartridge

We advise that your fitting is regularly serviced in hard water areas to maintain optimum performance.

If your fitting begins to leak the following should be carried out;

Isolate both hot and cold water supplies to the tap by either:

- Turning the water supply off at the mains stopcock or
 - Turning off the isolation valves to the tap.
1. Remove the cap on the rear of the handle to reveal the concealed grub screw.
 2. Unscrew the grub screw and pull the handle away from the shroud.
 3. Remove the shroud and using a suitable spanner, proceed to remove the retaining nut in order to gain access to the cartridge.
 4. Clean the seating inside the tap body, as well as the base of the cartridge itself.
 5. If necessary replace the cartridge.



Please visit www.heritagebathrooms.com in order to find spare parts for this product.

6. Replace the cartridge into the tap body, followed by the retaining nut and shroud.
7. Replace handle assembly.
8. Turn on water supply and check for leaks.
9. Contact our helpline should if problem persists.





Troubleshooting

Symptom	Cause	Remedy
No flow or poor flow rate.	Partially closed stop or service valve in water supply pipework to the tap.	Open stop or service valve.
	Head of water is below the minimum distance required.	Refer to the Specification section for minimum pressures required.
	Possible airlock / blockage in supply pipework	Remove water supplies from the fitting and flush the system to remove any airlocks / debris.
	Cartridge / Valve not opening fully.	Service fitting. Refer to maintenance section on page 5/6.
Water dripping for a few seconds after the tap has been turned off.	This is caused by 'capillary action' and residual water in the spout being siphoned out. This should only last for a couple of seconds.	
Constant dripping / leaking when the tap is not in use.	Cartridge / Valve not fully shutting off.	Service fitting and replace cartridge / valve. Refer to maintenance section on page 5/6.
Fitting does not turn on.	Water supplies not turned on.	Check that the water supplies to the fitting are turned on.
	Closed stop or service valve.	Open stop or service valve.
Water does not come out of the showerhead when using the bath shower mixer.	Diverter mechanism not fully open.	Open the diverter mechanism fully by turning the diverter lever handle.
	Insufficient water pressure / header height.	Refer to the specification section for minimum pressures required.





Notes

Please use this space to add any notes you or your installer may have regarding the plumbing system / installation of this product.



Heritage Bathrooms Guarantee

When you buy a Heritage product, you can be confident that it not only features distinctive design, but that it has also been made to meet our rigorous quality standards.

We offer robust guarantees and an attentive aftercare service to ensure that if you do experience any issues, we can deal with a problem quickly, and effectively.

Please note that guarantees are only valid with proof of purchase.

Our guarantees are as follows:



2 Years on
Mirrors &
WC Seats



5 Years on
Bath Screens,
Furniture,
Shower Valves,
Taps, Wastes
& Accessories



Lifetime Guarantee
on Acrylic &
Cast Iron Baths
And Sanitaryware

Register now for additional peace of mind

Register your product with us now and, if you do have any queries after installation, we'll be able to quickly identify the product and give you the best advice. It also means that you won't have to keep your proof of purchase to validate your guarantee. To register, simply go online at www.heritagebathrooms.com/register

Guarantee Terms and Conditions

This guarantee is in addition to your statutory and other legal rights and is subject to the following conditions:

- The product was purchased within the United Kingdom or Republic of Ireland
- The product is used in domestic applications only
- The guarantee applies solely to the original purchaser with proof of purchase
- The installation must allow ready access to all products for the purpose of inspection, maintenance or replacement
- Repair under this guarantee does not extend the original expiry date. The guarantee on any replacement parts or product ends at the original expiry date

Any part found to be defective during the guarantee period will be replaced without charge, providing that the product has been installed in accordance with the instructions given in this guide and used as the manufacturer intended. If the product is no longer available, Heritage will endeavour to provide the nearest equivalent.





Heritage Bathrooms Guarantee Cont.

The guarantee does not cover:

- Damage or defects caused by
 - General wear and tear (including special non-chrome finishes; components such as filters, seals, 'O' rings and washers)
 - Incorrect installation
 - Repair using non-Heritage parts
 - Accidental or wilful misuse
 - Corrosion and the use of inappropriate cleaning products.
 - System debris including the build-up of limescale (which can be controlled through regular servicing and maintenance)
- Compensation for loss of use of the product or consequential loss of any kind.

In the interests of continuous product improvement, Heritage reserves the right to alter product specifications without notice.

Need help?

In the unlikely event that you encounter a problem with your Heritage product, you must, in the first instance, contact the retailer you purchased it from. They will advise as to whether it is due to a manufacturing fault or an installation fault. If the problem is due to a manufacturing fault, they will contact us to arrange a supply of a replacement product as soon as possible. To speak to a Heritage customer service advisor, please contact our technical helpline on **0844 701 8503**.





Heritage Bathrooms
Birch Coppice Business Park
Dordon
Tamworth
B78 1SG

Website: www.heritagebathrooms.com

Telephone: 0844 701 8503

Email: technical@heritagebathrooms.com

HFI (SOMERSBY FLR MT BSM) REV. D1

