



Specification

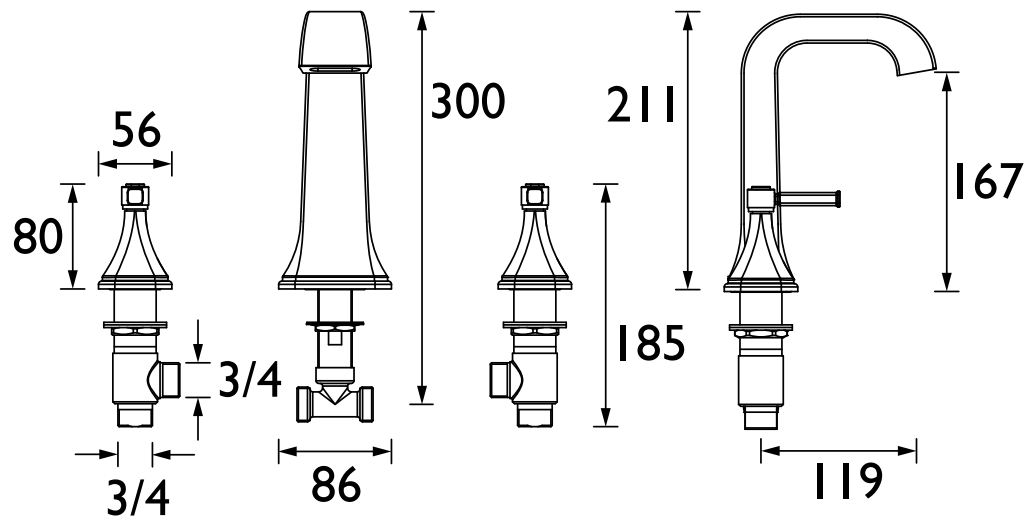
Product Type:	Bathroom Tap
Main Construction Material:	Brass
Mount Type:	Deck Mounted
Handle Type:	Lever Handle
Connection Inlet:	G 3/4" BSP
Connection Outlet:	Open
Number of Tap Holes:	3
Valve/Cartridge Type:	1/4 Turn 3/4" Ceramic Disc Valve
Plumbing System Requirements:	Suitable for all plumbing systems
Minimum Dynamic Pressure (bar):	0.2 bar
Maximum Dynamic Pressure (bar):	5.0 bar
Maximum Hot Water Temperature °C:	60°C
Maximum Static Pressure (bar):	10 bar
Flow Type:	Single Flow
Isolation Included:	No

Features:

- Compatible with low pressure water systems, optimised for UK market
- Quarter turn ceramic discs - for smooth operation and added durability

Product Certifications:

Dimensions (measurements in mm)



Additional Information:

Flow Rates (l/min)

System Pressure (bar)	0.2	0.5	1	2	3	5
TSBC073 (mixed)	20.9	37.7	54.3	78.3	80.9	104.5