

Basin & Pedestal/Semi Pedestal

Fitting Instructions



Before starting any installation project please consider the following:
Prior to drilling into walls, check there are no hidden electrical wires or cables or water supply pipes with the aid of an electrical detector.
If you use power tools do not forget:

- Wear eye protection
- Unplug equipment after use

Basin Fitting Instructions for:

Basin & Pedestal/Semi Pedestal

Please ensure these instructions are followed carefully - if you are unsure about any aspect of the installation, please consult a qualified installer.

NOTES

- Consider and plan the installation of your basin taps and basin waste-pre installing them prior to fixing your basin may be required.
- Use wall fixings suitable for your wall construction.
- Do not over tighten wall fixings, taps or wastes onto ceramic surfaces
- For Semi - pedestal installation - see overleaf
- Use a non permanent marker or pencil for marking.

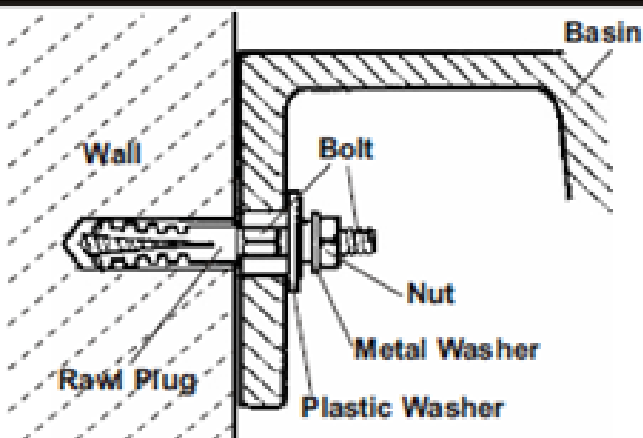
Standard Pedestal Installation



1. Place the basin on the pedestal and move into the required position in your bathroom.
2. Ensure the basin is correctly positioned on the pedestal. Ensure it is level and its back is in full contact with the wall.
3. Carefully mark the centre of the basin on it's tap ledge and extend this line up where it meets the wall.
4. Carefully mark a horizontal line on the wall above the back edge of the basin.
5. Remove the basin leaving a mark on the wall in the shape of an inverted 'T'.
- 5a. Mark the position of the holes with a pencil.

N.B. The bolt assembly may not be supplied.

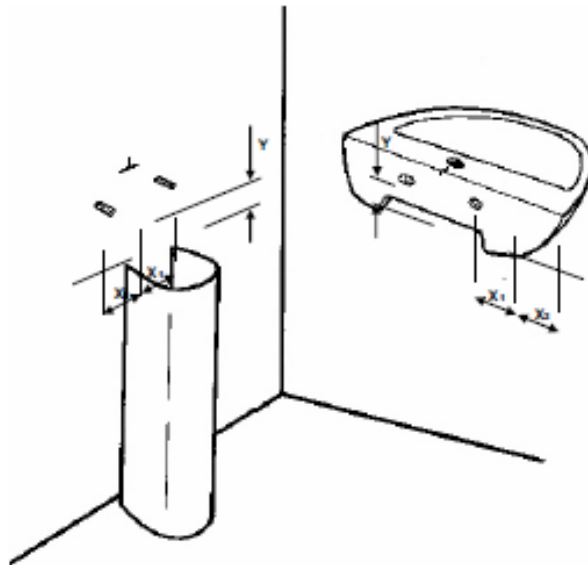
Please use suitable fixings to take the weight of the product and for the type on wall it is been installed onto.



N.B. On Some basins the sleeve on the Plastic washer wont fit through the Fixing Hole of the basin - simply remove with a hacksaw if this is the case.



Standard Pedestal Installation cont`



6. On the back of the basin draw a horizontal line through the centres of each fixing hole and a vertical line directly down the original centre mark on the tap ledge.
7. Measure a vertical dimension `Y` on the basin (distance down from the centre tap ledge to the centres of the fixing holes) and then
8. Measure the horizontal X1 and X2 on the basin (distance from the centre line of the basin to the centres of each fixing hole).
9. Using the bottom centre of the inverted `T` as a start point, mirror these dimensions on the wall. These are the two positions where the fixing bolts should be located. See diagram above.
10. Drill the wall to take the fixing bolts and rawl plugs (not supplied). Install the fixing bolts leaving sufficient thread showing to locate the basin and secure the washer and nuts.
11. Relocate the basin on to the pedestal, and secure the basin to the wall. See diagram on bottom of front page for details of basin bolt fixing.

Please ensure these instructions are followed carefully - if you are unsure about any aspect of the installation, please consult a qualified installer.

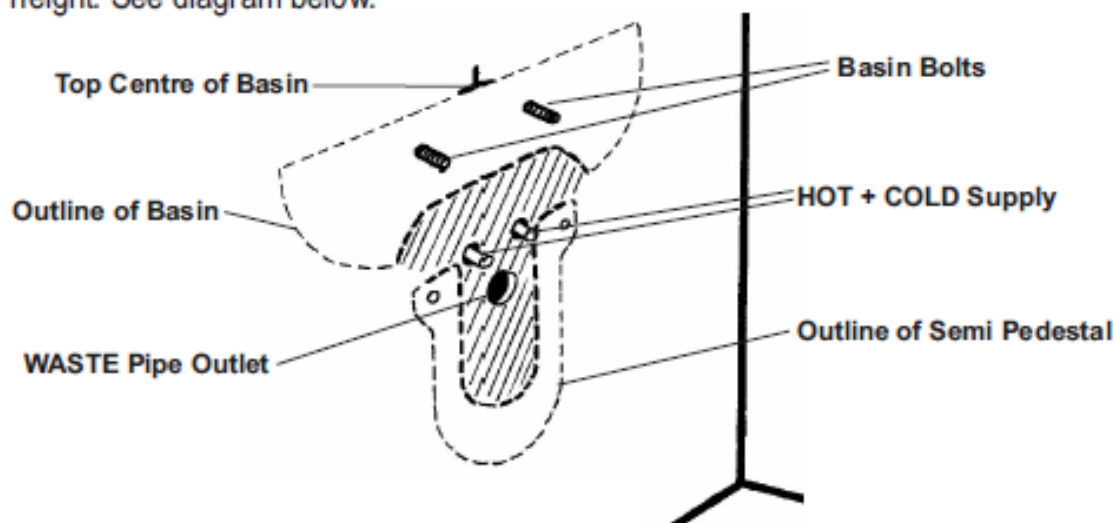
NOTES

- Consider and plan the installation of your basin taps and basin waste-pre installing them prior to fixing your basin may be required.
- Use wall fixings suitable for your wall construction.
- Do not over tighten wall fixings, taps or wastes onto ceramic surfaces
- For Semi - pedestal installation - see overleaf
- Use a non permanent marker or pencil for marking.

Semi Pedestal Installation

N.B. Careful planning is required to ensure HOT and COLD supply and waste pipe outlets are contained within the confines of the semi pedestal. The simplest way to establish the necessary positions for all fixings and feed is as follows:

1. Lay the basin and pedestal, as if they would be assembled, on their backs on a large piece of paper on the floor.
2. Using a pencil trace all the way around the outline of both the basin and semi pedestal, including the underside of the basin and the inside of the semi pedestal.
3. Carefully mark the centre of the basin on its tap ledge and extend this line of its outlet on the paper.
4. Assemble your waste and bottle trap onto basin and mark the centre line of its outlet on the paper.
5. Transpose this information onto the wall into your desired position in the bathroom. Ensure the information is straight and that the top line of the basin is at the correct height. See diagram below.



Semi Pedestal Installation cont`

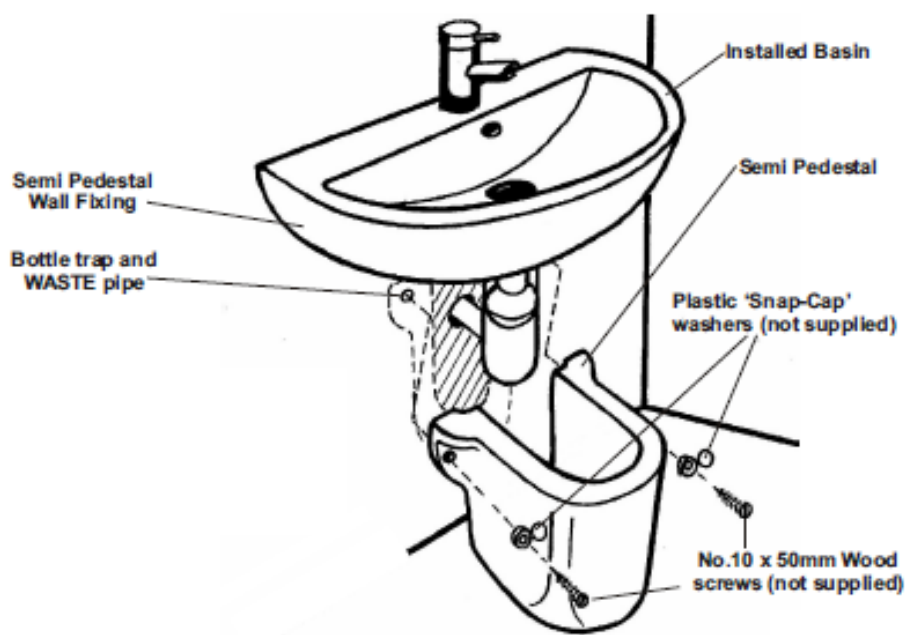
6. Plumb in the HOT and COLD supply such that they emerge from the wall with in the shaded area on the diagram.
7. Plumb in your WASTE pipe outlet with in the shaded area and along the centre line that you previously established.
8. Secure the basin to the wall following the steps 1 - 11 overleaf.

N.B. It may be easier to secure your taps and waste to the basin prior to fixing the basin to the wall.

9. Once the basin is secured to the wall make your HOT and COLD supply and WASTE pipe outlet connections.
10. Place the semi pedestal in position, mark the centres of the 2 x wall fixing holes and secure to the wall. See diagram below.

N.B. Wall fixings for the semi pedestal are not supplied.

For stud walls screw direct into timber frame. For masonry walls use an appropriate Rawl plug. Use a plastic or rubber washer between the head of the screw and the ceramic surface. White 'Snap-Caps' - washers with integrated cover caps would be ideal to hide the head of the screw once installed.



Notes.

Aftercare Instructions.

Your fitting has a high quality finish and should be treated with care to preserve the visible surfaces.

All surface finishes will wear if not cleaned correctly, the only safe way to clean your product, is to wipe with a soft damp cloth. Stains can be removed using washing up liquid. All bath cleaning powders and liquids can damage the surface of your fitting even the non-scratch cleaners.

Guarantee.

All products are manufactured to the highest standards and a 25-year guarantee covers any defect in manufacture.

Contact Details.

If you require further assistance please contact Heritage Sales and Technical Enquiries:

Sales : 0844 701 8501

Technical: 0844 701 8503

Email: Technical@heritagebathrooms.com

Website: www.heritagebathrooms.com

**Heritage Bathrooms
Unit 6 Albert Road
St Philips Central
Bristol
BS2 0XJ**

