

HERITAGE

BATHROOMS

INSTALLATION GUIDE



Models covered:

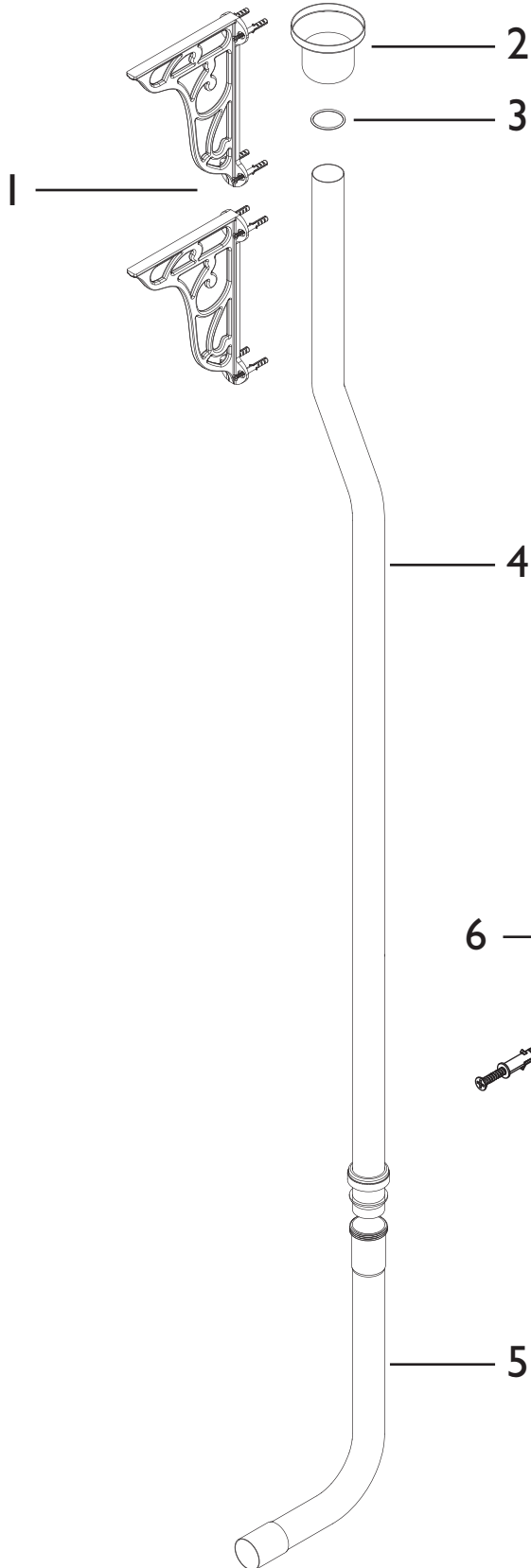
High Level Flush Kits for Rear
Installation WC

Please keep this booklet for future
Reference.

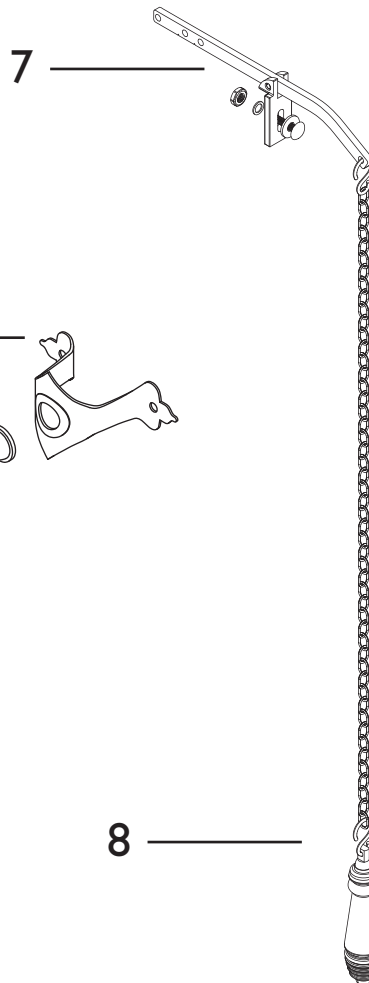
Installer: when you have read these
instructions please ensure you leave
them with the user.



CONTENTS CC01/CA01



No.	Description	Qty.
1	Cistern Bracket and Fixings	2
2	H/L Shroud	1
3	O Ring	1
4	Top Pipe	1
5	Bottom Pipe	1
6	Butter Clip, Rubber & Fixings	1
7	Fulcrum Lever Assembly	1
8	Hand Pull & Chain	1

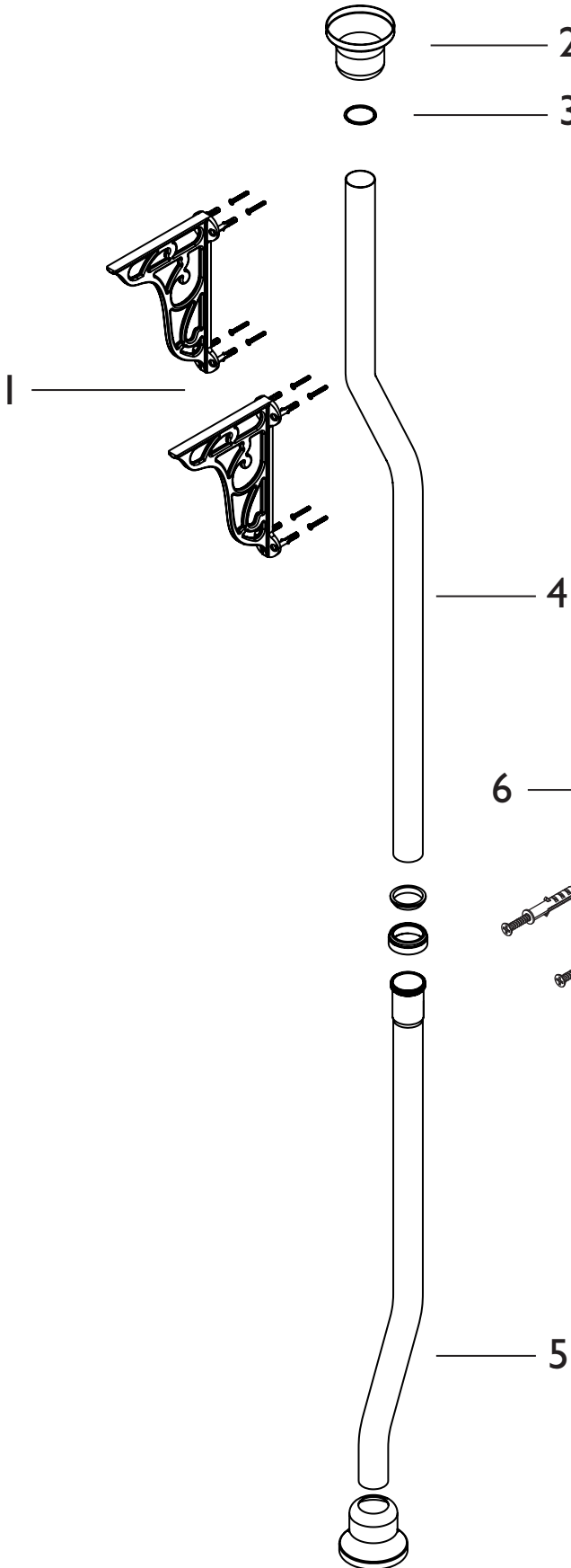


INSTALLATION FLUSH PIPE



1. Push the bottom pipe (5) into the pan, past the thicker end of the pipe.
2. Unscrew the nut at the top of the bottom pipe (5). Push the top pipe (4) into the bottom pipe (5) and tighten the nut.
3. For installation of your cistern, follow the instructions included in the product box.
4. Insert the top pipe (4) into the cistern and secure with the shroud (2), ensuring the O ring (3) is in place.
5. Fit the decorative brackets (1) under the cistern. **TIP: The brackets are for decorative purpose only. They will not support the weight of the cistern. Follow cistern instructions to ensure it is secure.**
6. Place the pipe bracket (6) over the joint of top pipe (4) and bottom pipe (5) and attach to the wall using the fittings provided.

CONTENTS CC03/CA03

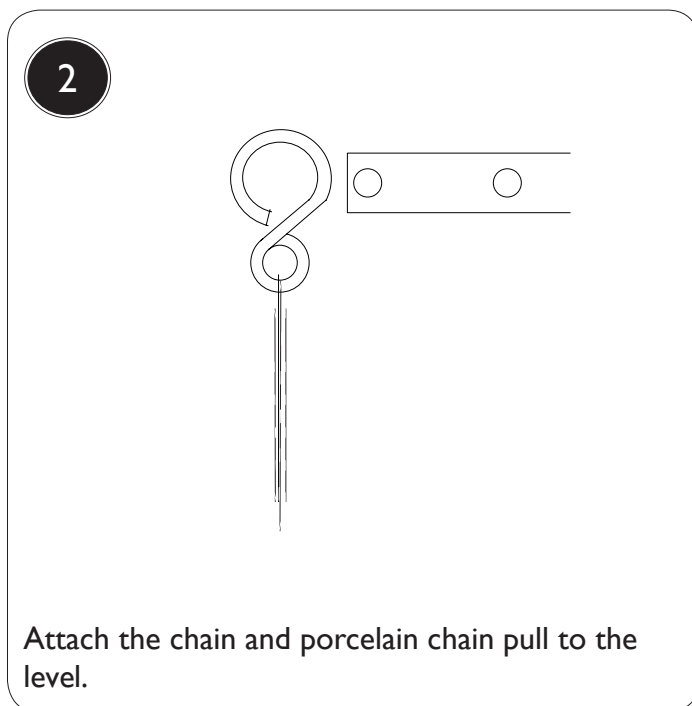
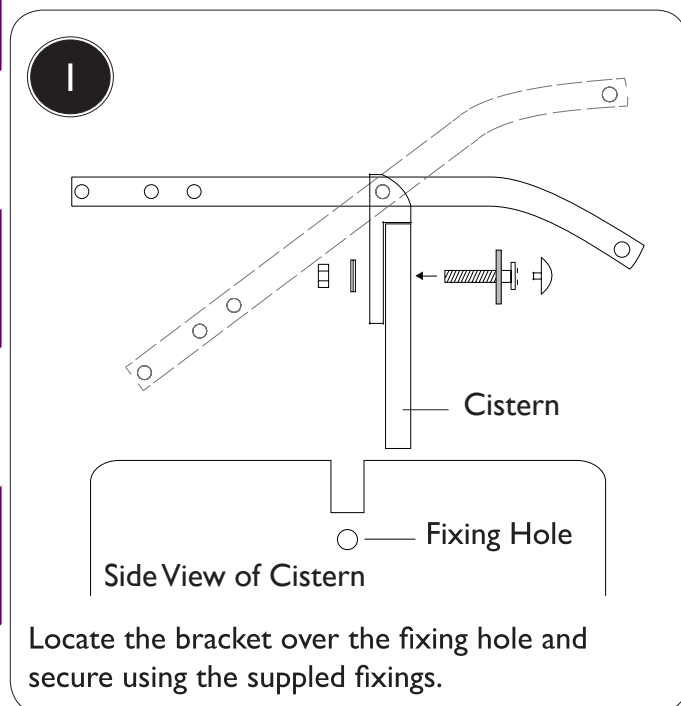


No.	Description	Qty.
1	Cistern Bracket and Fixings	2
2	H/L Shroud	1
3	O Ring	1
4	Top Pipe	1
5	Bottom Pipe	1
6	Butter Clip, Rubber & Fixings	1
7	Fulcrum Lever Assembly	1
8	Hand Pull & Chain	1

INSTALLATION FLUSH PIPE

1. Push the bottom pipe (5) into the pan, past the thicker end of the pipe.
2. Unscrew the nut at the top of the bottom pipe (5). Push the top pipe (4) into the bottom pipe (5) and tighten the nut.
3. For installation of your cistern, follow the instructions included in the product box.
4. Insert the top pipe (4) into the cistern and secure with the shroud (2), ensuring the O ring (3) is in place.
5. Fit the decorative brackets (1) under the cistern. **TIP: The brackets are for decorative purpose only. They will not support the weight of the cistern. Follow cistern instructions to ensure it is secure.**
6. Place the pipe bracket (6) over the joint of top pipe (4) and bottom pipe (5) and attach to the wall using the fittings provided.

INSTALLATION LEVER



To install the pipework to this product, please refer to the Rear Flush Pipe Installation WC booklet, which accompanies your toilet pan.

CARING FOR YOUR PRODUCT

Aftercare Instructions

Your fitting has a high quality finish and should be treated with care to preserve the visible surface.

All surface finishes will wear if not cleaned correctly.

The only safe way to clean your product is to wipe with a soft damp cloth. Any stains can be removed with washing up liquid.

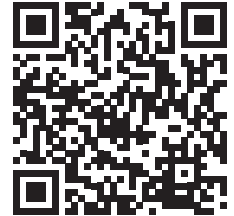
DO NOT use cleaning powders or liquids:

Even non-scratch cleaners, can damage the surface of your fitting.

Guarantee - This product is covered under the guarantee sections shown in the Rear Flush Pipe Installation WC booklet..

GUARANTEE

The confidence we have in the quality of our products and services enables us to offer a free peace-of-mind product guarantee from 2 years up to a lifetime guarantee against any manufacturing faults, with proof of purchase. In addition, our attentive customer service team are available to help solve any problems which may arise quickly and effectively so you can enjoy your bathroom.



To see the specific guarantee for this product, visit the following URL or QR Code.

<http://www.heritagebathrooms.com/service-centre/guarantee>

NOTES

HERITAGE[®]

BATHROOMS

We love to see how Heritage products are used so please keep in touch and share pictures of your new bathroom with us.



@heritagebathrooms

If you have any queries, our dedicated customer service teams and products experts are available to help.

Email us enquire@heritagebathrooms.com Call us 0330 026 8503 Website www.heritagebathrooms.com

UK: Heritage Bathrooms, Pooley Hall Drive, Birch Coppice Business Park, Dordon, Tamworth B78 1SG

EU: Masco Europe S.à.r.l., 14 Rue Strachen, 6933 Mensdorf, Luxembourg.