

# HERITAGE

## BATHROOMS

### *Installation Guide*



Freestanding Baths - Claw Foot Version  
(Acrylic and Cast Iron)

Please keep this booklet for future  
Reference.

Installer: when you have read these  
instructions please ensure you leave  
them with the user.



---

## Introduction



---

Thank you for buying a Heritage Bathrooms Product.

When you buy one of our products, you can be confident that it not only features a beautiful, distinctive and classical design, but that it has also been made to the very highest quality standards.

To ensure that it serves its purpose correctly, it needs to be fitted correctly, preferably by a competent plumber who has experience of fitting bathrooms.

These fitting instructions have been created to give you all the necessary information you will need to install the product, but, if you need any further information or help, please contact us by phone on 0330 026 8503.

## Contents



Safety Notice	03
Installer Guidelines	03
Installation	05-07
Caring for your bath	08
Guarantee	08

---

## *Safety Note*

---

Please make sure you read these instructions and retain for future use.

All products manufactured by Heritage Bathrooms are safe, providing they are installed and used correctly and also receive maintenance when needed.

Baths, including the connecting water and waste system need to be installed in accordance with and meet the requirements of the water supply regulations 1999 (Water Fittings) and Scottish By-laws 2004

This product must not be modified in any way otherwise this will invalidate the guarantee.

Do not stand in the bath until the installation has been completed.

---

## *Installer Guidelines*

---

When making joints on baths (including the water and waste supplies), only use the washers provided and an approved joining compound, should you find it hard to make sound joints. When installing fixtures on baths, avoid excessive force when tightening plastic nuts.

Please ensure that the installation and accommodation is designed with future serviceability of the product in mind. In the event a future claim is made under the product warranty, the design of the installation may affect warranty claim if it has not been considered in the original design. It is strongly advisable to fit isolation valves before the baths water fixtures in case isolation is required at any point during maintenance.

Failure to observe crucial information in these fitting instructions will nullify your guarantee.

This product requires experience within plumbing. No responsibility will be taken for poor workmanship resulting in leaks and injuries.

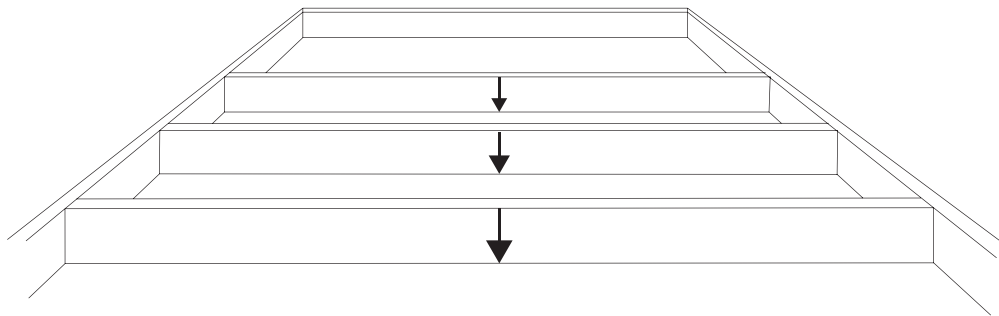
Before commencing the installation of the footed bath, you will need to install the feet (instructions should accompany the feet).

This bath is not designed to be fitted by a wall unless you have the corner freestanding bath (see page 7), the minimal clearance distance must be at least 50mm.

# Installation



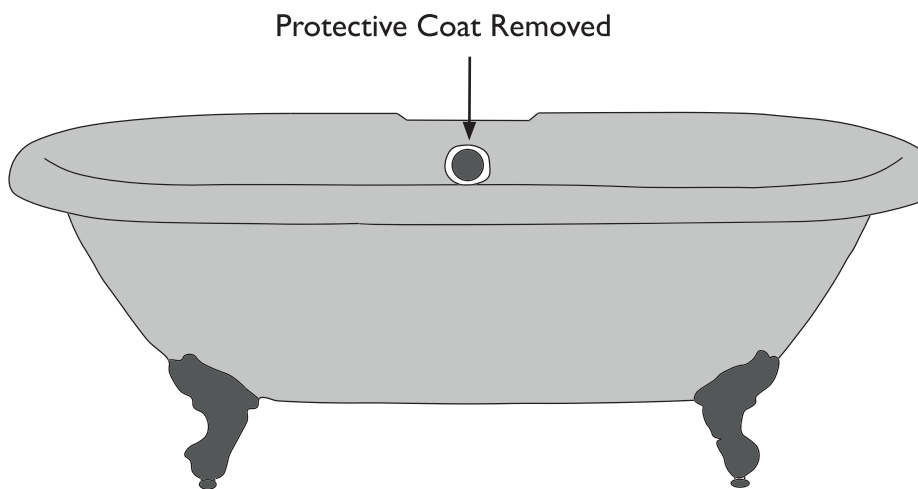
1



If the bath is being installed on a suspended wooden floor or non-ground floor level, make suitable provision to strengthen the floor. A structural engineer may be required to conduct a risk assessment.

⚠ Do not assume the floor is strong enough without making a suitable assessment.

2



Some baths have a protective cover. At this stage you should remove this cover where applicable to provide enough clearance so that you can install any non-pre-fitted wastes and also potentially the taps.

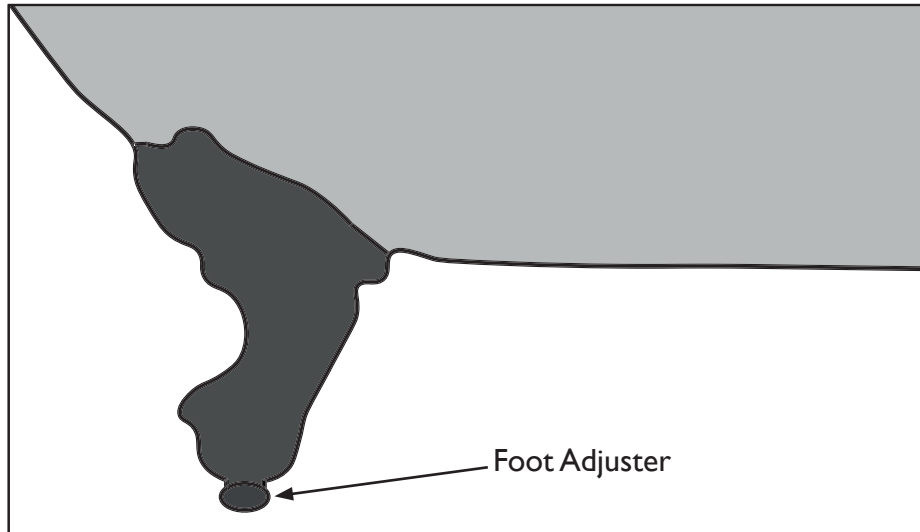
**Note:** This protective cover is not on Cast Iron Baths.

⚠ Do not stand in the bath during the installation.

⚠ Cast Iron Baths are very heavy, a lifting aid/second person at minimum will be required to manoeuvre.

# Installation

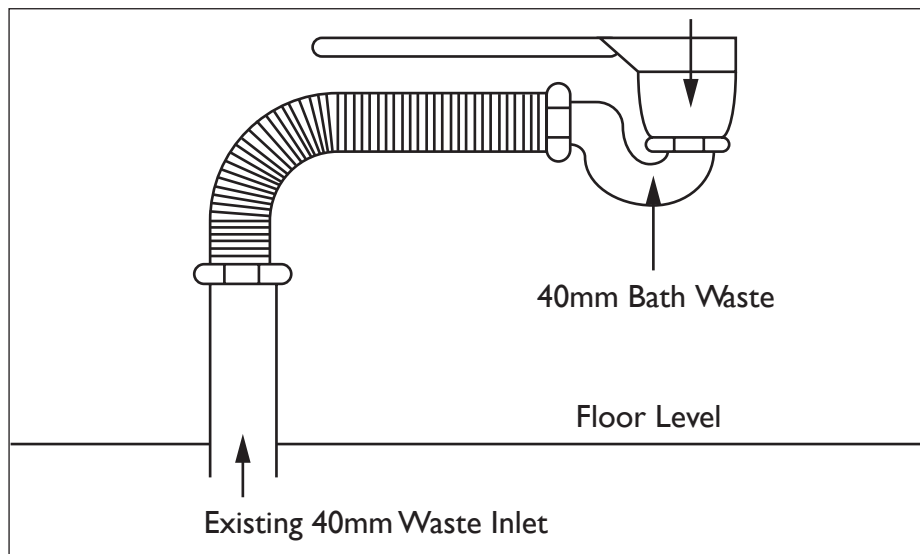
3



Whilst in its preferred position, adjust the feet to remove rocking whilst using a spirit level to make sure the bath is level.

**Note:** If you have problems levelling the bath because of an uneven floor, you must correct the floor before you can install the bath. The adjusters on the bottom of the feet only have slight adjusters and may not compensate enough.

4



Fit the waste trap and overflow (where applicable) and connect to the waste collection pipe.

**Note:** It is the installer's responsibility to provide a suitable waste trap in line with the water regulations.

# Installation



5

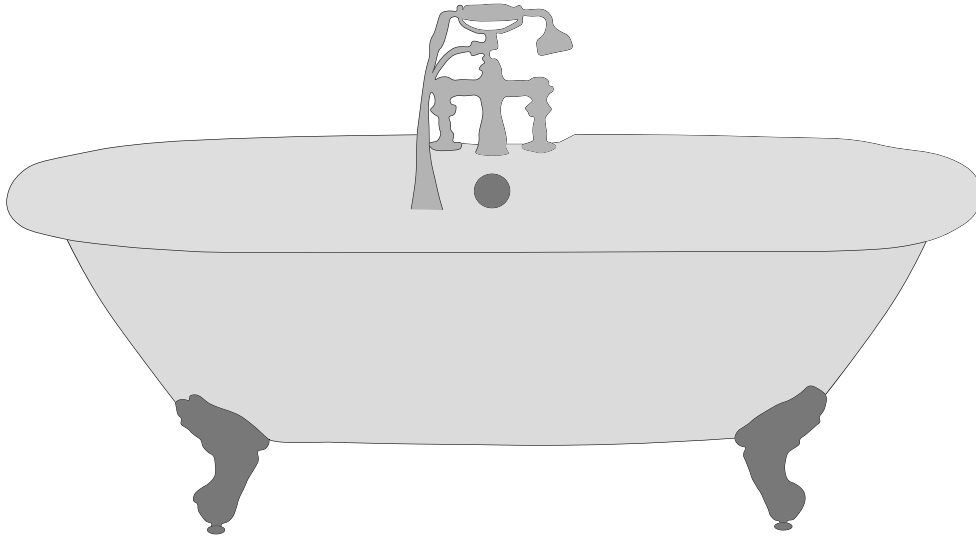
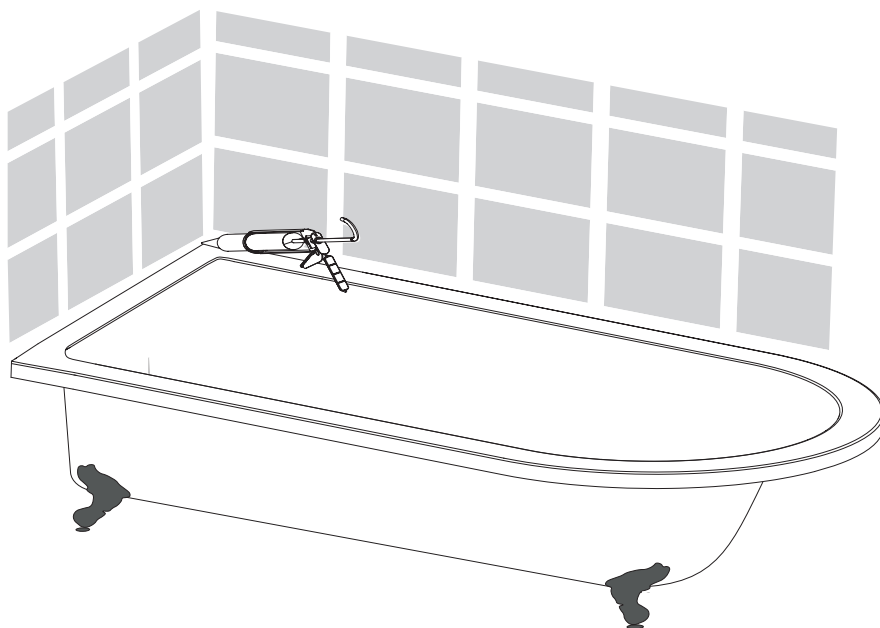


Image shows a standard bath shower mixer fitted. Floor standing also available

Fit suitable taps for the bath, either bath mounted, wall mounted or floor mounted. Use the instructions that come with the taps to fit correctly. Afterwards, check for leak tightness and correct where necessary.

## Corner Freestanding Bath



Follow steps 1-5. For the corner freestanding bath, it needs to be placed in a corner against walls. Silicone will need to be used to seal against any adjacent walls.

If required, tap holes can be drilled out to suit your taps, using correct cutting techniques and equipment.

---

## *Caring for your bath*

---

For everyday cleaning we recommend using a soft damp cloth or just warm soapy water.

You should never use abrasive cleaners on your bath, they will scratch the surface of the acrylic, which will affect the appearance of the glossy look.

If you do scratch your bath, we recommend using an enamel cleaning agent or car polish (T-Cut) this will help to restore your bath back to a lustre finish.

Replace worn washers on dripping taps to prevent surface marking.

**Warning:** Solvents such as paint stripper or nail varnish remover will damage the bath.

**Important:** Retain this information for future reference

**For further information, please e-mail Customer Services at [technical@heritagebathrooms.com](mailto:technical@heritagebathrooms.com)**

---

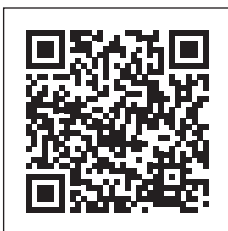
## *Heritage Bathrooms Guarantee*

---

The confidence we have in the quality of our products and services enables us to offer a free peace-of-mind product guarantee from 2 years up to a lifetime guarantee against any manufacturing faults, with proof of purchase. In addition, our attentive customer service team are available to help solve any problems which may arise quickly and effectively so you can enjoy your bathroom.

To see the specific guarantee for this product, visit the following URL or QR code.

[www.heritagebathrooms.com/service-centre/guarantee](http://www.heritagebathrooms.com/service-centre/guarantee)





# HERITAGE<sup>®</sup>

## BATHROOMS

---

### *Contact Details*



---

Heritage Bathrooms  
Birch Coppice Business Park  
Dordon  
Tamworth  
B78 1SG

Website: [www.heritagebathrooms.com](http://www.heritagebathrooms.com)  
Customer Services Telephone: 0330 026 8503  
Email: [technical@heritagebathrooms.com](mailto:technical@heritagebathrooms.com)