

HERITAGE

BATHROOMS

Installation Guide



Models covered:

Cistern Levers

Please keep this booklet for future Reference.

Installer: when you have read these instructions please ensure you leave them with the user.



Introduction

Thank you for buying a Heritage Bathrooms Product.

When you buy one of our products, you can be confident that it not only features a beautiful, distinctive and classical design, but that it has also been made to the very highest quality standards.

To ensure that it serves its purpose correctly, it needs to be fitted correctly, preferably by a competent plumber who has experience of fitting bathrooms.

These fitting instructions have been created to give you all the necessary information you will need to install the product, but, if you need any further information or help, please contact us by phone on 0330 026 8503.

Contents

| | |
|--------------------------|-------|
| Safety Notice | 03 |
| Installation | 04-05 |
| Caring for your products | 05 |
| Guarantee | 06-07 |

Safety Note

Please make sure you read these instructions and retain for future use.

All products manufactured by Heritage Bathrooms are safe, providing they are installed and used correctly and also receive maintenance when needed.

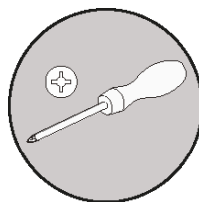
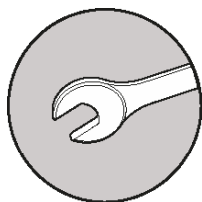
If you are in doubt about your ability to install this product correctly or safely, you should employ the services of an experienced qualified plumber.

This product must not be modified in any way otherwise this will invalidate the guarantee.

Consider the following whilst using power tools:

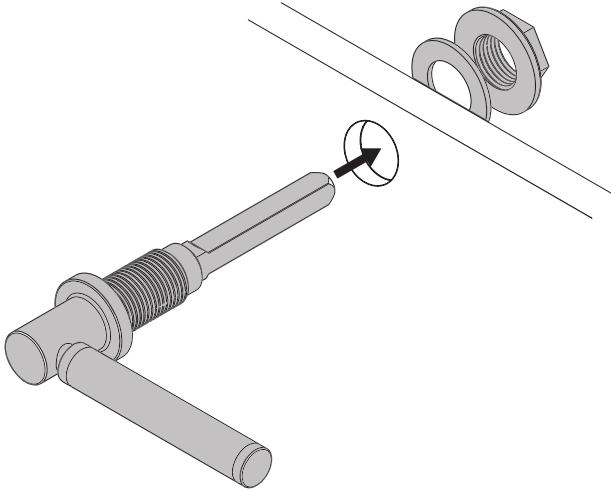
- Prior to drilling into walls, check there are no hidden electrical cables or wires and there are also no water pipes. These can potentially be found using an electrical or metal detector. You may also need to know some of the schematics of previous installations to determine the suitability and accommodation of the installation.
- Wear the correct PPE, especially ear, eye and hand protection when using power tools. Unplug any mains equipment after use.
- Keep electrical equipment away from sources of water.

Tools Needed



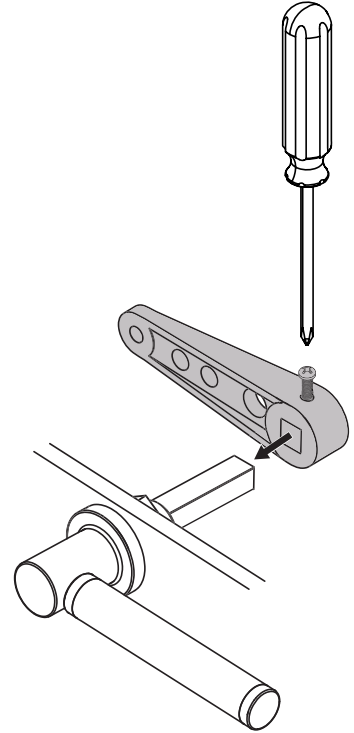
Installation

1



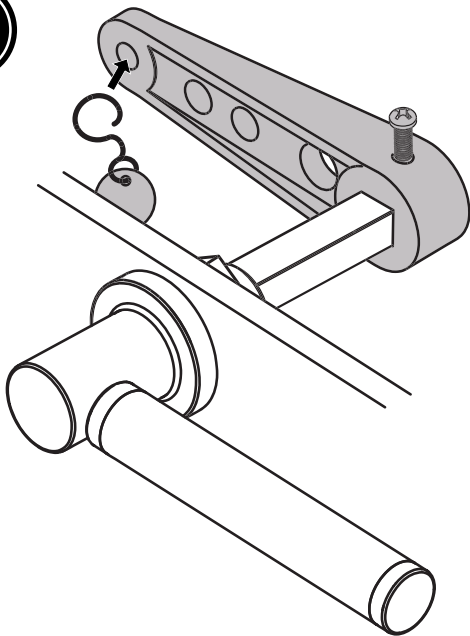
Slide the threaded barrel into the hole in the cistern. Fit the rubber washer and nut on the thread and tighten firmly.

2



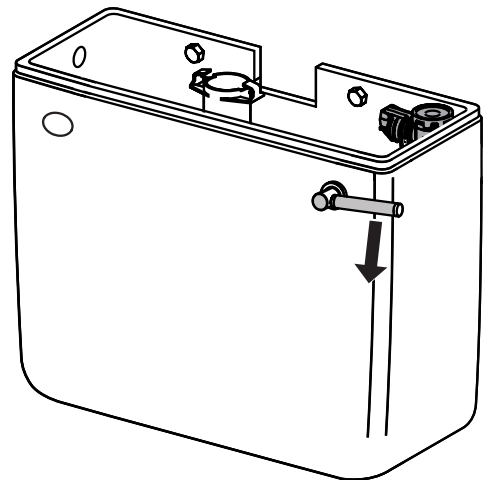
Attach the cistern lever arm and tighten with the locking nut.

3



Hook the clip from the flush mechanism on to the adjacent hole of the arm. The handle should approximately sit between 2-3 O Clock.

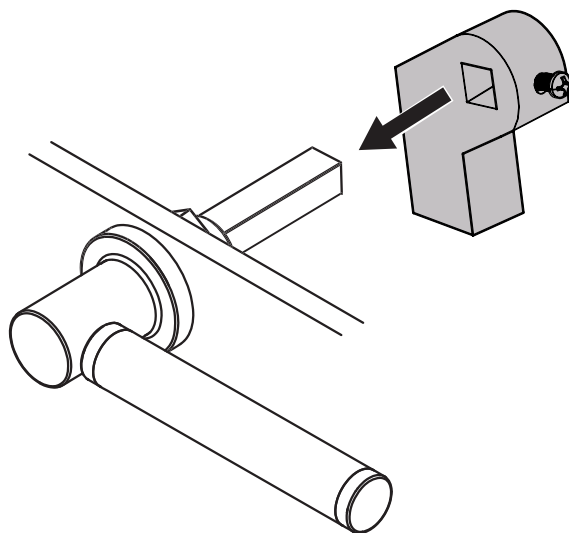
4



Check the toilet flush by operating the handle downwards and checking the toilet flushes correctly.

Installation

Some cistern fittings come with a fitting which connects directly to the spine of the flush handle. This means the cistern lever arm will not be needed.



Example shown

Caring for your products

Your fitting has a high quality finish and should be treated with care to preserve the visible surface.

A few tips for preventing defects from forming:

Occasionally wipe the surface with a soft damp cloth and dry with a soft dry cloth.

Do not use any abrasive cleaning agents or materials, these will change the surface condition from the standard finish.

Heritage Bathrooms Guarantee

When you buy a Heritage product, you can be confident that it not only features distinctive design, but that it has also been made to meet our rigorous quality standards.

We offer robust guarantees and an attentive aftercare service to ensure that if you do experience any issues, we can deal with a problem quickly, and effectively.

Please note that guarantees are only valid with proof of purchase.

Our guarantees are as follows:

| | |
|--|-----------------------|
|  <p>2 YEAR GUARANTEE</p> | Mirrors & WC Seats |
|--|-----------------------|

| | |
|--|---|
|  <p>5 YEAR GUARANTEE</p> | Bath screens, Furniture, Shower Valves, Taps, Wastes & Accessories |
|--|---|

| | |
|--|---|
|  <p>LIFETIME GUARANTEE</p> | Lifetime Guarantee on Acrylic & Cast Iron Baths and Sanitaryware |
|--|---|

Register now for additional peace of mind

Register your product with us now and, if you do have any queries after installation, we'll be able to quickly identify the product and give you the best advice. It also means that you won't have to keep your proof of purchase to validate your guarantee. To register, simply go online at www.heritagebathrooms.com/register

Guarantee Terms and Conditions

This guarantee is in addition to your statutory and other legal rights and is subject to the following conditions:

The product was purchased within the United Kingdom or Republic of Ireland.

The product is used in domestic applications only.

The guarantee applies solely to the original purchaser with proof of purchase.

The installation must allow ready access to all products for the purpose of inspection, maintenance or replacement. Repair under this guarantee does not extend the original expiry date. The guarantee on any replacement parts or product ends at the original expiry date. Any part found to be defective during the guarantee period will be replaced without charge, providing that the product has been installed in accordance with the instructions given in this guide and used as the manufacturer intended. If the product is no longer available, Heritage will endeavour to provide the nearest equivalent.

Heritage Bathrooms Guarantee

The guarantee does not cover:

- Damage or defects caused by General wear and tear (including special non-chrome finishes; components such as filters, seals, 'O' rings and washers)
 - Incorrect installation
 - Repair using non-Heritage parts
 - Accidental or wilful misuse
 - Corrosion and the use of inappropriate cleaning products.
 - System debris including the build-up of limescale (which can be controlled through regular servicing and maintenance)
- Compensation for loss of use of the product or consequential loss of any kind.

In the interests of continuous product improvement, Heritage reserves the right to alter product specifications without notice.

Need help?

In the unlikely event that you encounter a problem with your Heritage product, you must, in the first instance, contact the retailer you purchased it from. They will advise as to whether it is due to a manufacturing fault or an installation fault. If the problem is due to a manufacturing fault, they will contact us to arrange a supply of a replacement product as soon as possible. To speak to a Heritage customer service advisor, please contact our technical helpline on **0330 026 8503**.



HERITAGE[®]

BATHROOMS

Contact Details



Heritage Bathrooms
Birch Coppice Business Park
Dordon
Tamworth
B78 1SG

Website: www.heritagebathrooms.com
Customer Services Telephone: 0330 026 8503
Email: technical@heritagebathrooms.com

Cistern Levers - D5
