

HERITAGE

BATHROOMS

Installation Guide



Models Covered:

Traditional Exposed Bath Wastes

**THA16
THBN16
THCI6**

Please keep this booklet for future reference.

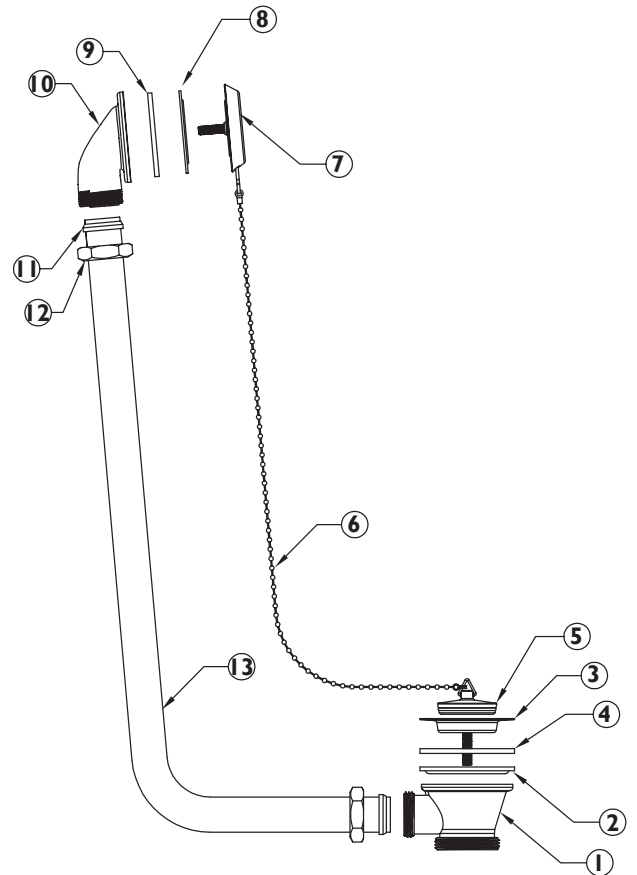
Installer: When you have read these instructions, please ensure you leave them with the user.

INSTALLATION

Components:

Identify all components are present prior to installation.

- | | |
|---------------------------|------|
| 1. Waste Body | (x1) |
| 2. Ridged Rubber Washer | (x1) |
| 3. Flange | (x1) |
| 4. Foam Washer | (x1) |
| 5. Plug | (x1) |
| 6. Chain | (x1) |
| 7. Overflow Face | (x1) |
| 8. Ridged Overflow Washer | (x1) |
| 9. Rubber Washer | (x1) |
| 10. Overflow Elbow | (x1) |
| 11. Conical Washer | (x2) |
| 12. Hex Nut | (x2) |
| 13. L-Pipe | (x1) |



1. Check the dimensions of your bath to make sure that the waste assembly will fit to your bath. The L Pipe is a fixed length and should not be adjusted.

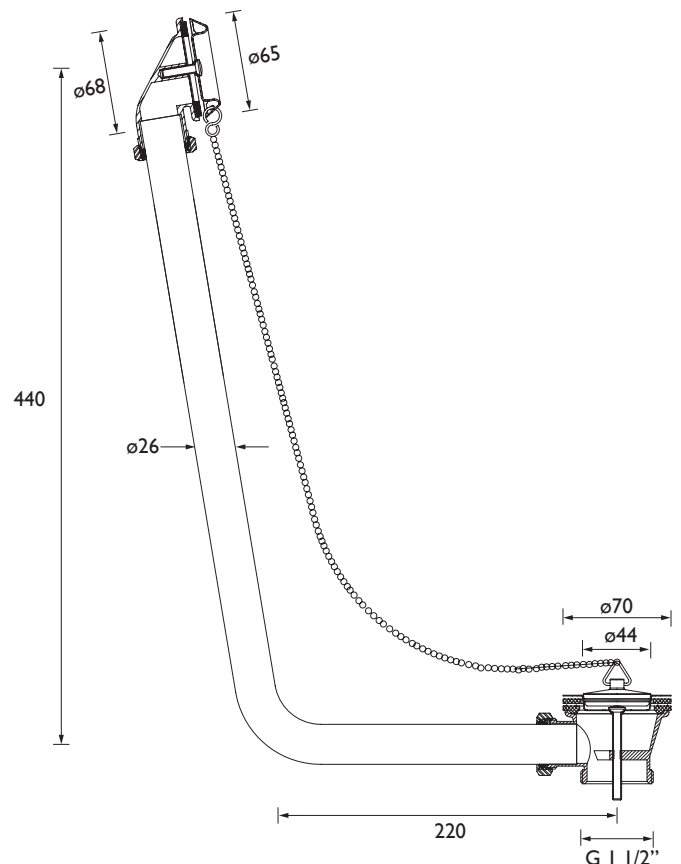
2. Place the waste body (1) underneath the bath, with the ridged rubber washer (2) above it. Secure in place by screwing down the flange (3) from the top of the bath, with the foam washer (4) underneath it.

3. Place the overflow elbow (10) behind the bath, with the rubber washer (9) in front of it. Secure in place by screwing the overflow face (7) from the inside of the bath, with the ridged overflow washer (8) behind it.

4. Insert the L Pipe (13) short end first into the waste body (1). Ensure a conical washer (11) is at the end of the tube, and connect to the waste body (1) by using a hex nut (12).

5. Repeat the process to fit the long end of the L Pipe (13) to the overflow elbow (10).

6. Check all joints and connections for leaks.



CARING FOR YOUR PRODUCT

Heritage products are made from premium materials, with hand polishing, PVD, EPD and electroplated finishes.

Your product should be regularly cleaned with warm water, a mild pH-neutral liquid soap, and polished with a soft cloth. Any residues from soap, toiletries etc. should be rinsed off straight after use.

Household bleaches and cleaners contain harsh chemicals and may damage the surface finish. Avoid using abrasive cloths, scouring pads, scrub sponges, steel wool or anything similar.

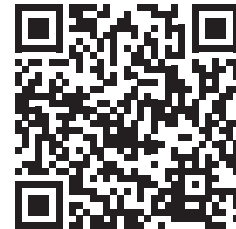
Some surfaces such as nickel and pewter may be affected by the dye found in some cloths, so it is also important to avoid leaving cloths on surfaces.

GUARANTEE

The confidence we have in the quality of our products and services enables us to offer a free peace-of-mind product guarantee from 2 years up to a lifetime guarantee against any manufacturing faults, with proof of purchase. In addition, our attentive customer service team are available to help solve any problems which may arise quickly and effectively so you can enjoy your bathroom.

To see the specific guarantee for this product, scan the QR Code or visit the following URL:

<https://www.heritagebathrooms.com/service-centre/guarantee>



NEED HELP?

In the unlikely event that you encounter a problem with your Heritage product, you must, in the first instance, contact the retailer you purchased it from. They will advise as to whether it is due to a manufacturing fault or an installation fault. If the problem is due to a manufacturing fault, they will contact us to arrange a supply of a replacement product as soon as possible. To speak to a Heritage customer service advisor, please contact our technical helpline on 0330 026 8503.



HERITAGE[®]

BATHROOMS

We love to see how Heritage products are used so please keep in touch and share pictures of your new bathroom with us.



@heritagebathrooms

If you have any queries, our dedicated customer service teams and products experts are available to help.

Email us enquire@heritagebathrooms.com Call us **0330 026 8503** Website www.heritagebathrooms.com

UK: Heritage Bathrooms, Pooley Hall Drive, Birch Coppice Business Park, Dordon, Tamworth B78 1SG

EU: Masco Europe S.à.r.l., 14 Rue Strachen, 6933 Mensdorf, Luxembourg.