

Semi-Recessed, Wing, Tapledge, Block/Slab Basins

Fitting Instructions



Before starting any installation project please consider the following:
Prior to drilling into walls, check there are no hidden electrical wires or cables or water supply pipes with the aid of an electrical detector.
If you use power tools do not forget:

- Wear eye protection
- Unplug equipment after use



Thank you for selecting Heritage. To ensure this product is installed correctly please read these instructions before you begin. We advise that the work be carried out by a qualified plumber.

CAUTION: PRODUCT IS FRAGILE – TO AVOID BREAKAGE AND POSSIBLE INJURY HANDLE WITH CARE !

Recommended Tools & Materials:

4 x self tapping screws (preferably brass), 4 rubber or plastic cup washers, screwdriver, basin wrench, tape measure, pipe wrench, carpenters level, slip joint pliers, standard woodworking tools, personal safety equipment, caulking gun, nails, self tapping screws, plumbers putty or silicone (waterproof), 1"x3" or 2"x2" stringers, drop cloth, cement, plaster, grout, tubing cutter, drill, hacksaw.

General Information:

The product is designed to be installed onto a number of pieces of Heritage furniture.

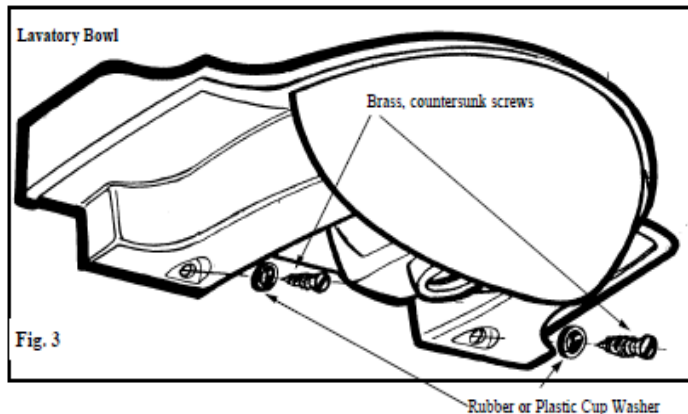
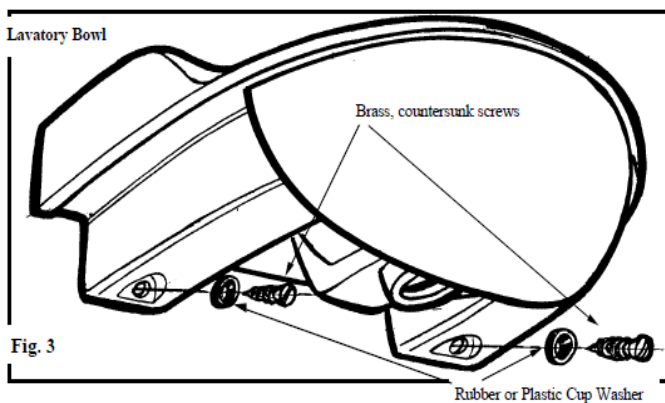
1. Note: The dimensions stated above are for guidance only. Due to manufacturing tolerances and the various installations available, it is advised to check the actual rough in dimensions of the product to be installed. Carefully uncrate and inspect your new sanitaryware for any shipping damage. If such damage is found report it to your supplier BEFORE installation.

Protect the fixture from construction damage during installation. It is advisable to install the taps & waste (in accordance with manufactures instructions) to the bowl before it is permanently fixed in position.

Installation & Framing Instructions.

Semi-Recessed.

1. Position the basin onto the vanity unit and in turn position the assembly in the required position against the wall. Fig 1. (OVER THE PAGE).
2. The bowl should be secured to the wall using 2 x self tapping screws via the 2 holes provided on the underside of the bowl see Fig 3.



3. To ensure a secure installation is it recommended that suitable reinforcement is provided behind the finished wall.
4. While the bowl is in position mark the position for the screw holes. Ensure that you allow for the finished floor height. Remove the bowl, drill the holes and finish the wall and floor as appropriate.
5. Put the vanity back into position & secure it to the wall, but do not fully tighten yet.
6. Apply a generous amount of silicone sealant to the underside section & also to the back of the bowl that will come into contact with the wall.
7. Secure the bowl to the wall, again using brass screws and cup washers, and tighten the vanity to the wall.
8. Remove the excess silicone sealant immediately.

Wing Basins. (Cont from point 6 above)

9. Place the bowl on top of the vanity unit and lightly press down. Adjust the whole assembly such that the back of the bowl is in contact with the wall.
10. Secure the bowl to the wall, again using brass screws & cup washers & tighten the vanity to the wall.
11. Remove the excess silicone sealant immediately.

Care Advice.

1. Over tightening fittings, especially wastes can cause pressure cracks in the porcelain.
2. Clean the porcelain immediately after use to avoid build up of residue which will be harder to remove after time.

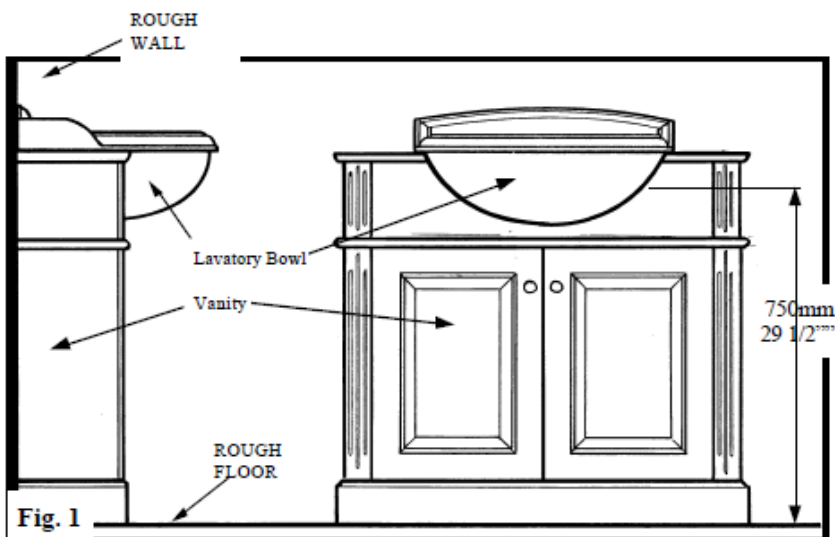


Fig. 1

General Information

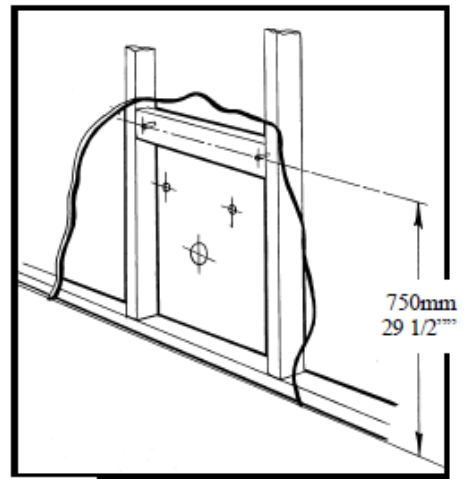
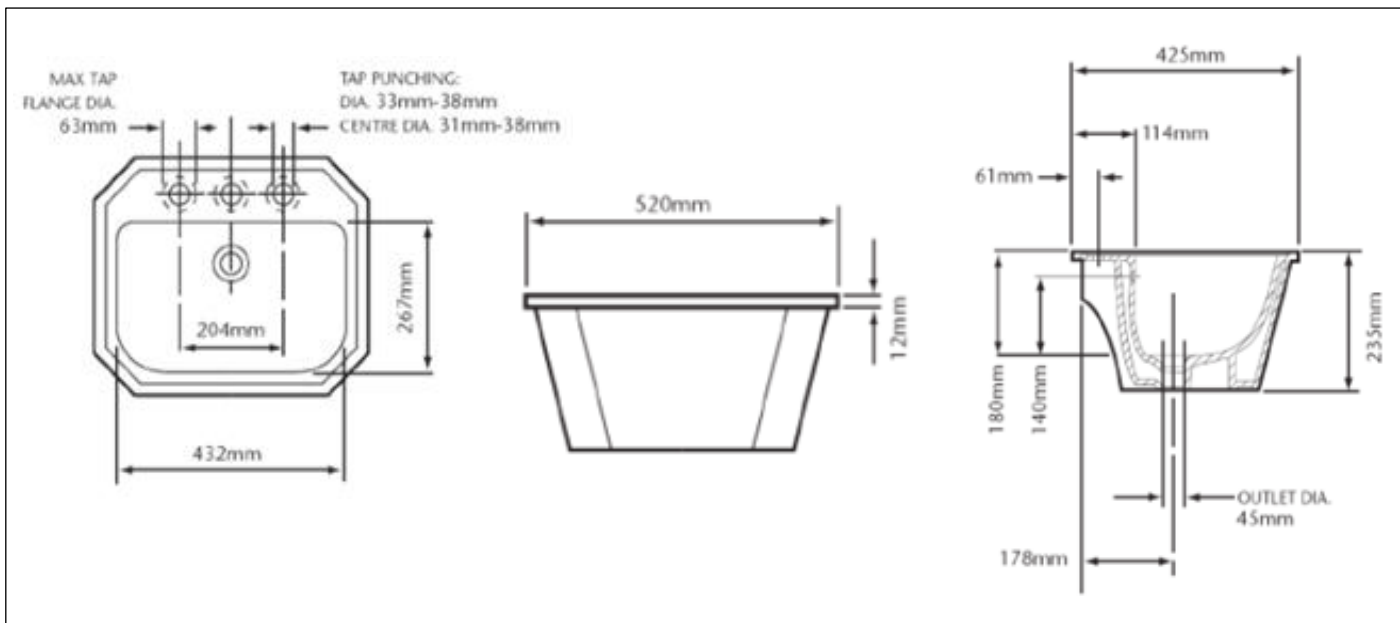


Fig. 2

Tapledge Basins.

1. Position the bowl onto the worktop and in turn position the assembly in the required position in the work surface. Cut the work surface to the size required to inset the basin into the work surface.
2. Inset the basin into the work surface, making sure the basin is level & in the correct position.
3. Apply a generous layer of silicone sealant to the underside of the basin that will come into contact with the work surface.
4. Place the basin into the work surface and lightly press down, adjust the whole assembly to ensure the basin is in the correct position desired.
5. Once desired position is obtained secure the basin firmly and remove any excess silicone sealant immediately.



Care Advice.

1. Over tightening fittings, especially wastes can cause pressure cracks in the porcelain.
2. Clean the porcelain immediately after use to avoid build up of residue which will be harder to remove after time.

Block/Slab Basins.

1. Position the bowl onto the unit and in turn position the assembly in the required position on the unit.
2. Position the basin onto the unit, making sure the basin is level & in the correct position.
3. Apply a generous layer of silicone sealant to the underside of the basin that will come into contact with the unit surface.
4. Place the basin onto the unit and lightly press down, adjust the whole assembly to ensure the basin is in the correct position desired.
5. Once desired position is obtained secure the basin to the wall using suitable bolts, removing any excess sealant immediately.

Care Advice.

1. Over tightening fittings, especially wastes can cause pressure cracks in the porcelain.
2. Clean the porcelain immediately after use to avoid build up of residue which will be harder to remove after time.

Notes.

Aftercare Instructions.

Your fitting has a high quality finish and should be treated with care to preserve the visible surfaces.

All surface finishes will wear if not cleaned correctly, the only safe way to clean your product, is to wipe with a soft damp cloth. Stains can be removed using washing up liquid. All bath cleaning powders and liquids can damage the surface of your fitting even the non-scratch cleaners.

Guarantee.

All products are manufactured to the highest standards and a 25-year guarantee covers any defect in manufacture.



Contact Details.

If you require further assistance please contact Heritage Sales and Technical Enquiries:

Sales : 0844 701 8501

Technical: 0844 701 8503

Email: Technical@heritagebathrooms.com

Website: www.heritagebathrooms.com

Heritage Bathrooms
Unit 6 Albert Road
St Philips Central
Bristol
BS2 0XJ

