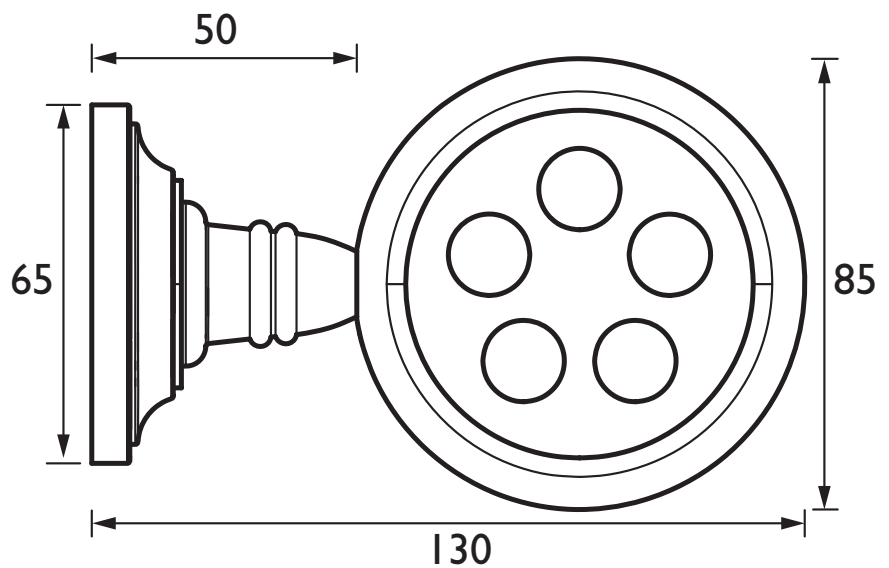




Specification

Contemporary or Traditional:	Traditional
Main Construction Material:	Brass

Dimensions (measurements in mm)



Features:

- Brass construction to resist rust and humidity in a bathroom environment
- Beautiful traditional styling
- Concealed fixings
- Suitable for electronic toothbrush heads

Additional Information: