

# ACC01

## CLIFTON Accessory Range

Clifton Towel Ring Chrome



### Specification

Contemporary or Traditional:	Traditional
Main Construction Material:	Brass
Height (mm):	190
Width (mm):	160
Depth (mm):	100
Adjustable Brackets:	No
What's in the Box?:	1 x Towel Ring 1 x Wall Bracket 2 x Wall plugs and screws 1 x Fitting Instructions

### Features:

- Brass construction to resist rust and humidity in a bathroom environment
- Beautiful traditional styling
- Available in 2 colour finishes to match your brassware
- Concealed fixings

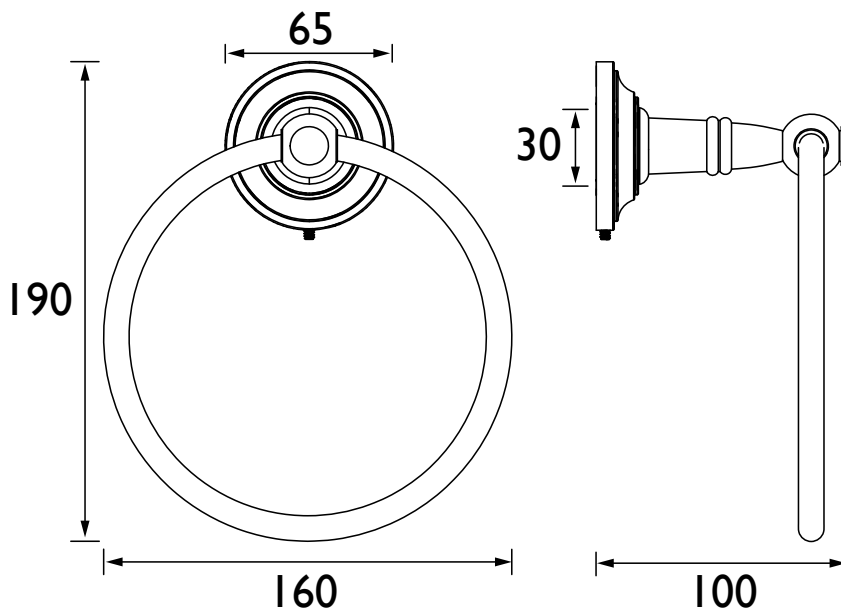
### Product Certifications:

### Additional Information:

#### Variant SKUs:

- ACA01 - Vintage Gold

### Dimensions (measurements in mm)



# TECHNICAL DATA SHEET



# HERITAGE<sup>®</sup>

BATHROOMS

D4