

# TECHNICAL DATA SHEET

# HERITAGE<sup>®</sup>

BATHROOMS

## Winchester Heated Towel Rail

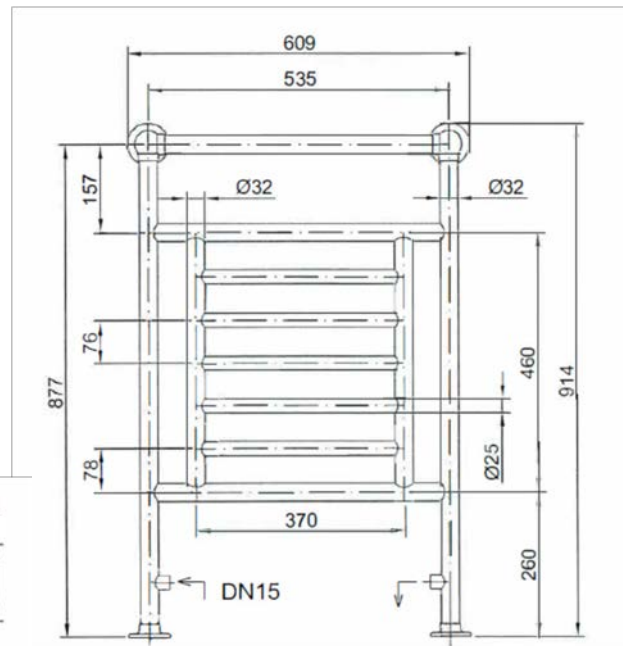
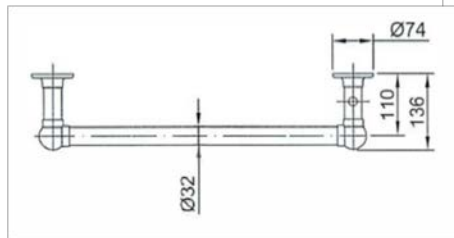
### Product Specification

<b>Product Code:</b>	AHC74
<b>Finish:</b>	Chrome
<b>Product Type:</b>	Classic
<b>Construction:</b>	Body is of Steel Construction and is designed to conform to BS EN 442
<b>Supply:</b>	Suitable for closed central heating systems
<b>Output:</b>	774 BTU (227 Watts)
<b>Valve Centres:</b>	463mm
<b>Dimensions for Fitting:</b>	914 (H) mm, 609 (W) mm, 136 (D) mm



### Additional Information

- Chrome plated to BS EN 248
- Includes valves in chrome
- Suitable for closed central heating systems only
- 5 Year Guarantee



**Technical Advice:** For further information please call 0844 701 8503 or email [technical@heritagebathrooms.com](mailto:technical@heritagebathrooms.com).

**Guarantee:** 5 Year Guarantee covering manufacturing faults.

Heritage Bathrooms, Birch Coppice Business Park, Dordon, Tamworth, B78 1SG  
Telephone: 0844 701 8501 Facsimile: 0844 701 8502  
Web Site: [www.heritagebathrooms.com](http://www.heritagebathrooms.com) Email: [technical@heritagebathrooms.com](mailto:technical@heritagebathrooms.com)

  
delivery to showroom

  
5  
YEAR  
GUARANTEE

D6

The information contained on this page was correct at date of issue. Fitting dimensions are provided as a guide only. Some variation may occur due to manufacturing tolerances. Heritage Bathrooms pursues a policy of continuing improvement in design and performance of its products and so reserves the right to change specifications without prior notice.