

Victorian

Heated Towel Rail

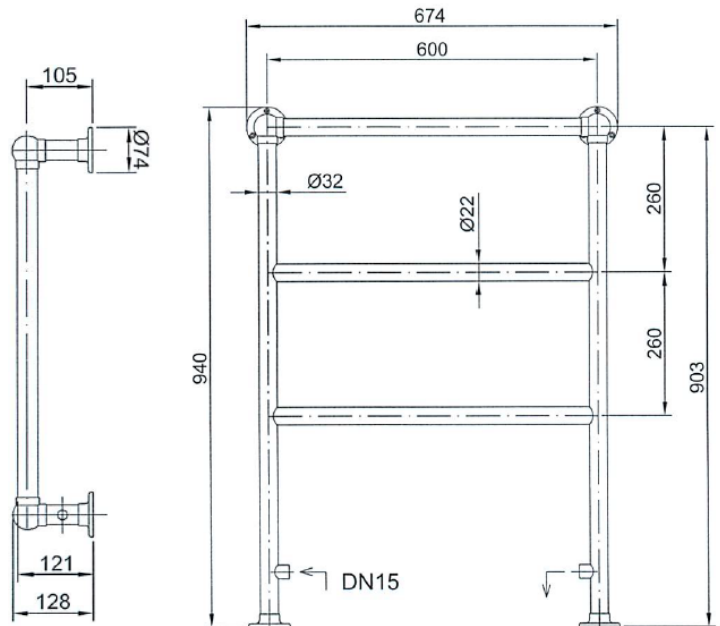
Product Specification

Product Codes & Finishes:	AHC70 (Chrome) AHA70 (Antique Gold)
Product Type:	Classic
Construction:	Body is of Steel Construction and is designed to conform to BS EN 442
Supply:	Suitable for closed central heating systems
Output:	600 BTU (176 Watts)
Valve Centres:	600mm
Dimensions for Fitting:	940 (H) mm, 674 (W) mm, 128 (D) mm



Additional Information

- Chrome Plated to BS EN 248
- Includes Valves in Chrome & Gold finish
- Suitable for Closed Central Heating Systems Only
- 5 Year Guarantee



Technical Advice:

For further information please call 0844 701 8503 or email technical@heritagebathrooms.com.

Guarantee:

5 Year Guarantee covering manufacturing faults.