

FEATURES

- Heritage Logo
- Solid Brass Construction
- Traditional Design
- Ceramic Disk Valves
- 25 Year Guarantee (Timeless Gold)
- 5 Year Guarantee (Chrome)



Logo as it appears on product: **HB**

FINISHES AVAILABLE

Chrome	TGC00
Timeless Gold	TGA00

INCLUDED COMPONENTS

Packed Weight	1.46 Kgs
Packed Size	57 x 142 x 330mm

PRODUCT DETAILS

Min. Operating Pressure	0.1 bar
Min Flow Rate	6Lpm
Taps with longer spouts are ideal for use with no taphole inset basins.	

HERITAGE RECOMMENDS

Heritage or Clifton accessories

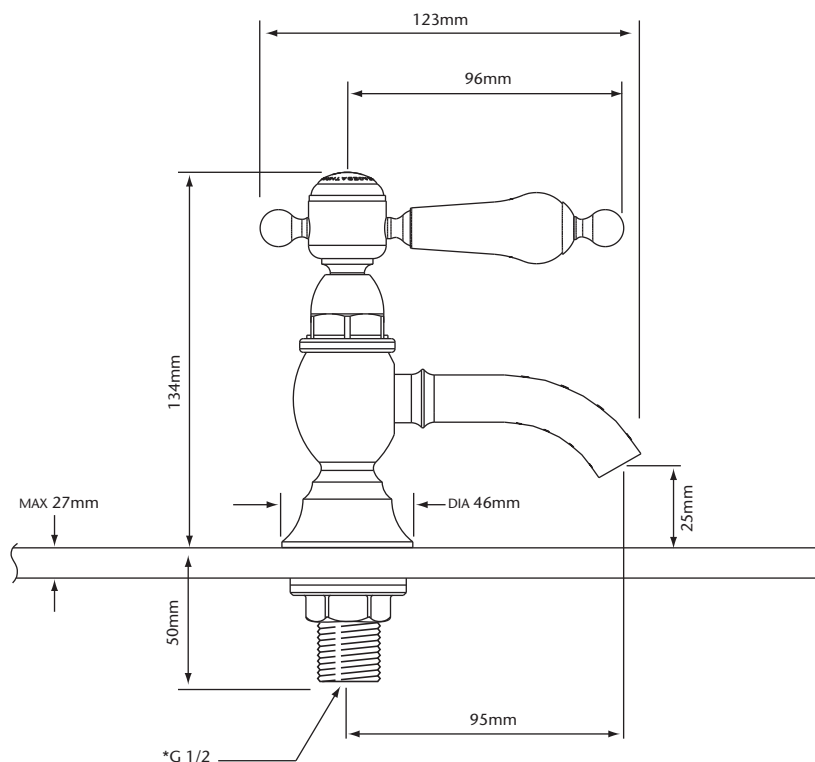
SPARE PARTS

Granley Indices (pair)	QSP02
1/2" CD valves (pair)	QSP08
Granley Levers (chrome) (pair)	QSP17
Granley Levers (gold) (pair)	QSP16
locking nuts pair	QSP33
Ring and bush for tap heads (chrome)	QSP142
Ring and bush for tap heads (gold)	QSP143

DIMENSIONS

		0.1 bar	0.2 bar	0.3 bar	0.4 bar	0.5 bar	1 bar	1.5 bar	2 bar	3 bar	4 bar	5 bar
BASIN PILLAR TAPS	Cold	6.00	8.48	10.39	12.06	13.47	19.14	23.44	27.07	33.15	38.28	42.80

For minimum operating pressure see highlighted column



*G 1/2 standard for 1/2 BSP