



Fairport Shaker

Mini Valve with Flexible Kit

SVK55

SHAKER SHOWERS

FEATURES

- hb Logo
- Thermostatic Single Control Valve
- Single Function Handset
- Chrome Only
- 5 Year Guarantee

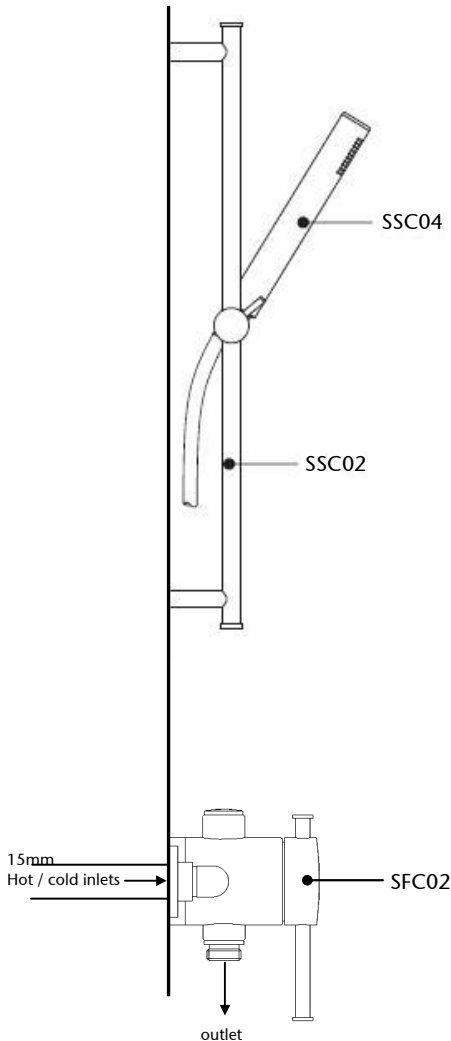
INCLUDED COMPONENTS

- Fairport Mini Shower Valve SFC02
- Riser & Hose SSC02
- Pencil Handset SSC04



Logo as it appears on product:

INSTALLATION DETAILS



SPARE PARTS

For spare part availability please contact Heritage Shower Department

PRODUCT DETAILS

Sequential thermostatic showers are single control and only allow adjustment of temperature, not flow. Thermostatic showers maintain a constant water temperature to within 1° regardless of the demand on the water supply. All Heritage showers are supplied with filters, check valves and optional flow restrictors to ensure efficient operation. Safety features include pre set maximum temperature of 43° and instant shut down if water supply fails.

Flexible kit consists of adjustable height slide rail, flexible hose (1500mm) and single function shower handset.

Operating pressure	0.1 - 10 bar
Minimum recommended operating pressure with pencil handset	0.1 bar
Shower body dimensions	93 x 196 x 93mm
Inlet centres	148—152mm

FLOW RATES		0.1	0.2	0.3	0.4	0.5	1	2	3	4	5
SFC02 & SSC04	Mixed	3.7	5.9	7.3	8.7	10	14.7	20.5	25.1	29	32.4

Flow rates are measured in litres per minute



Fairport Shaker

Mini Thermostatic Shower Valve


SFC02

SHAKER SHOWERS

FEATURES

- hb Logo
- Thermostatic Single Control Valve
- Chrome Only
- 5 Year Guarantee



Logo as it appears on product: 

FINISHES AVAILABLE

Chrome

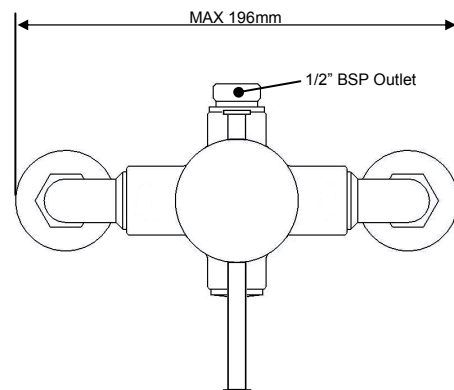
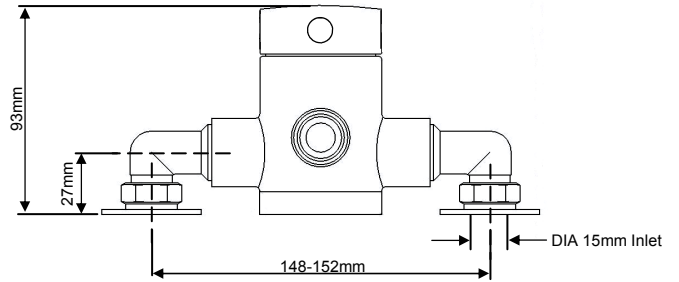
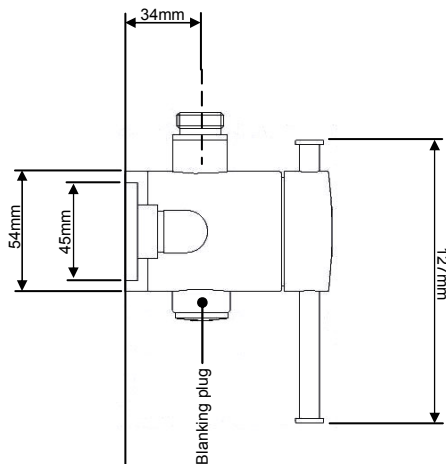
INCLUDED COMPONENTS

Fairport Mini Shower Valve	SFC02
Packed Weight	2kgs
Packed Size	555 x 415 x 230mm

PRODUCT DETAILS

hb logo positioned in the centre of the handle.

DIMENSIONS





Shaker Flexible Kit

SSC02
SSC04

FEATURES

- Single Function Handset
- Chrome only
- 5 Year Guarantee



SHAKER SHOWERS

FINISHES AVAILABLE

Chrome

SPARE PARTS

Chrome shower hose

QSP121

INCLUDED COMPONENTS

Riser Bar & Hose SSC02
Packed Weight 1kg
Packed Size 50 x 570 x 130mm

Pencil Handset SSC04
Packed Weight 0.5kg
Packed Size 242 x 95 x 95mm

DIMENSIONS

